

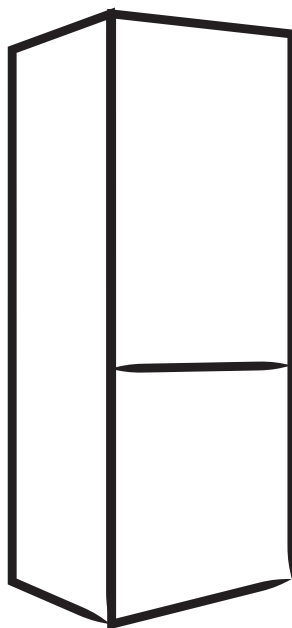


EN

USER MANUAL

REFRIGERATOR

Bottom Freezer



Please read the Manual carefully before use.
The Manual shall be kept in good custody for later reference

version:001

MODEL: MDRB424FGF *SERIES

www.midea.com

CONTENTS

1 Safety warnings

1.1 Warning	1-2
1.2 Meanings of safety warning symbols	3
1.3 Electricity related warnings	3
1.4 Warnings for using	4
1.5 Warnings for placement	4-5
1.6 Warnings for energy	5
1.7 Warnings for disposal	5

2 Proper use of the refrigerator

2.1 Placement	6
2.2 Levelling feet	7
2.3 Door Right-Left Change	8-9
2.4 Changing the Light	10
2.5 Starting to use	10
2.6 Energy saving tips	10

3 Structure and functions

3.1 Key components	11
3.2 Functions	12

4 Maintenance and care of the refrigerator

4.1 Overall cleaning	13
4.2 Defrosting	14
4.3 Out of operation	14

5 Trouble shooting

5.1 Trouble shooting	15
----------------------	----

1 Safety warnings

1.1 Warning



Warning: risk of fire / flammable materials

This appliance is intended to be used in household and similar applications such as staff kitchen areas in shops, offices and other working environments; farm houses and by clients in hotels, motels and other residential type environments; bed and breakfast type environments; catering and similar non-retail applications.

This appliance is not intended for use by persons (including children) with reduced physical, sensory or mental capabilities, or lack of experience and knowledge, unless they have been given supervision or instruction concerning use of the appliance by a person responsible for their safety.)

Children should be supervised to ensure that they do not play with the appliance.

If the supply cord is damaged, it must be replaced by the manufacturer, its service agent or similarly qualified persons in order to avoid a hazard.

Do not store explosive substances such as aerosol cans with a flammable propellant in this appliance.

The appliance has to be unplugged after use and before carrying out user maintenance on the appliance.

Warning: Keep ventilation openings, in the appliance enclosure or in the built-in structure, clear of obstruction.

Warning: Do not use mechanical devices or other means to accelerate the defrosting process, other than those recommended by the manufacturer.

Warning: Do not damage the refrigerant circuit.

Warning: Do not use electrical appliances inside the food storage compartments of the appliance, unless they are of the type recommended by the manufacturer.

Warning: Please abandon the refrigerator according to local regulators for it use flammable blowing gas and refrigerant.

Warning: When positioning the appliance, ensure the supply cord is not trapped or damaged.

Warning: Do not locate multiple portable socket-outlets or portable power supplies at the rear of the appliance.

Do not use extension cords or ungrounded (two prong) adapters.

Danger: Risk of child entrapment. Before you throw away your old refrigerator or freezer:

–Take off the doors.

–Leave the shelves in place so that children may not easily climb inside.

The refrigerator must be disconnected from the source of electrical supply before attempting the installation of accessory.

Refrigerant and cyclopentane foaming material used for the appliance are flammable.

Therefore, when the appliance is scrapped, it shall be kept away from any fire source and be recovered by a special recovering company with corresponding qualification other than be disposed by combustion, so as to prevent damage to the environment or any other harm.

For EN standard: This appliance can be used by children aged from 8 years and above and persons with reduce physical sensory or mental capabilities or lack of experience and knowledge if they have been given supervision or instruction concerning use of the appliance in a safe way and understand the hazards involved. Children shall not play with the appliance. Cleaning and user maintenance shall not be made by children without supervision. Children aged from 3 to 8 years are allowed to load and unload refrigerating appliances.

The necessity that, for doors or lids fitted with locks and keys, the keys be kept out of the reach of children and not in the vicinity of the refrigerating appliance, in order to prevent children from being locked inside .

To avoid contamination of food, please respect the following instructions:

- Opening the door for long periods can cause a significant increase of the temperature in the compartments of the appliance.
 - Clean regularly surfaces that can come in contact with food and accessible drainage systems.
 - Clean water tanks if they have not been used for 48 h; flush the water system connected to a water supply if water has not been drawn for 5 days. (note 1)
 - Store raw meat and fish in suitable containers in the refrigerator, so that it is not in contact with or drip onto other food.
 - Two-star frozen-food compartments are suitable for storing pre-frozen food, storing or making ice-cream and making ice cubes. (note 2)
 - One-, two- and three-star compartments are not suitable for the freezing of fresh food. (note 3)
 - For appliances without a 4-star compartment: this refrigerating appliance is not suitable for freezing foodstuffs. (note 4)
 - For appliances without a 4-star compartment: this refrigerating appliance is not suitable for freezing foodstuffs. (note 4)
 - If the refrigerating appliance is left empty for long periods, switch off, defrost, clean, dry, and leave the door open to prevent mould developing within the appliance.
- Note 1,2,3,4: Please confirm whether it is applicable according to your product compartment type.

For a freestanding appliance: this refrigerating appliance is not intended to be used as a built-in appliance.

Any replacement or maintenance of the LED lamps is intended to be made by the manufacturer, its service agent or similar qualified person.

This product contains a light source of energy efficiency class (F)

1.2 Meaning of safety warning symbols



Prohibition symbol

This is a prohibition symbol.
Any in compliance with instructions marked with this symbol may result in damage to the product or endanger the personal safety of the user.



Warning symbol

This is a warning symbol.
It is required to operate in strict observance of instructions marked with this symbol; or otherwise damage to the product or personal injury may be caused.

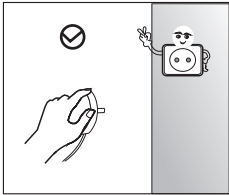


Note symbol

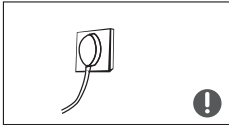
This is a cautioning symbol.
Instructions marked with this symbol require special caution. Insufficient caution may result in slight or moderate injury, or damage to the product.

This manual contains lots of important safety information which shall be observed by the users.

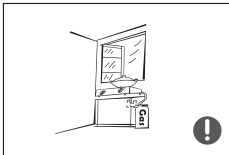
1.3 Electricity related warnings



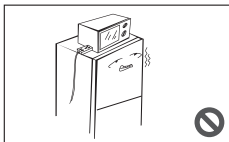
- Do not pull the power cord when pulling the power plug of the refrigerator. Please firmly grasp the plug and pull it out from the socket directly.
- To ensure safe use, do not damage the power cord or use the power cord when it is damaged or worn.



- Please use a dedicated power socket and the power socket shall not be shared with other electrical appliances. The power plug should be firmly contacted with the socket or else fires might be caused.
- Please ensure that the grounding electrode of the power socket is equipped with a reliable grounding line.

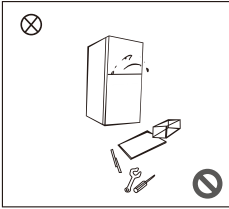


- Please turn off the valve of the leaking gas and then open the doors and windows in case of leakage of gas and other flammable gases. Do not unplug the refrigerator and other electrical appliances considering that spark may cause a fire.

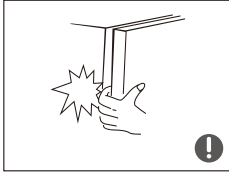


- Do not use electrical appliances on the top of the appliance, unless they are of the type recommended by the manufacturer.

1.4 Warnings for using



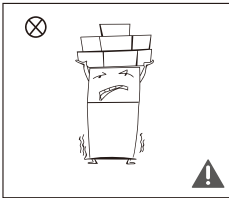
- Do not arbitrarily disassemble or reconstruct the refrigerator, nor damage the refrigerant circuit; maintenance of the appliance must be conducted by a specialist
- Damaged power cord must be replaced by the manufacturer, its maintenance department or related professionals in order to avoid danger.



- The gaps between refrigerator doors and between doors and refrigerator body are small, be noted not to put your hand in these areas to prevent from squeezing the finger. Please be gentle when close the refrigerator door to avoid falling articles.
- Do not pick foods or containers with wet hands in the freezing chamber when the refrigerator is running, especially metal containers in order to avoid frostbite.

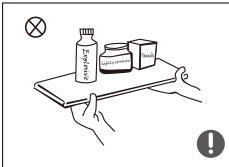


- Do not allow any child to get into or climb the refrigerator; otherwise suffocation or falling injury of the child may be caused.

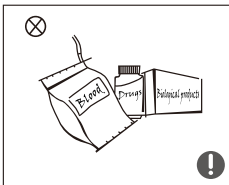


- Do not place heavy objects on the top of the refrigerator considering that objects may fall when close or open the door, and accidental injuries might be caused.
- Please pull out the plug in case of power failure or cleaning. Do not connect the refrigerator to power supply within five minutes to prevent damages to the compressor due to successive starts.

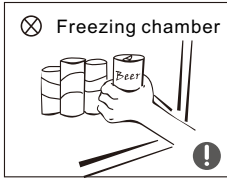
1.5 Warnings for placement



- Do not put flammable, explosive, volatile and highly corrosive items in the refrigerator to prevent damages to the product or fire accidents.
- Do not place flammable items near the refrigerator to avoid fires.



- The refrigerator is intended for household use, such as storage of foods; it shall not be used for other purposes, such as storage of blood, drugs or biological products, etc.



- Do not store beer, beverage or other fluid contained in bottles or enclosed containers in the freezing chamber of the refrigerator; otherwise the bottles or enclosed containers may crack due to freezing to cause damages.

1.6 Warnings for energy

Warning for energy

- 1) Refrigerating appliances might not operate consistently (possibility of defrosting of contents or temperature becoming too warm in the frozen food compartment) when sited for an extended period of time below the cold end of the range of temperatures for which the refrigerating appliance is designed.
- 2) The fact that effervescent drinks should not be stored in food freezer compartments or cabinets or in low-temperature compartments or cabinets, and that some products such as water ices should not be consumed too cold;
- 3) The need to not exceed the storage time(s) recommended by the food manufacturers for any kind of food and particularly for commercially quick-frozen food in food-freezer and frozen-food storage compartments or cabinets;
- 4) The precautions necessary to prevent an undue rise in the temperature of the frozen food while defrosting the refrigerating appliance, such as wrapping the frozen food in several layers of newspaper.
- 5) The fact that a rise in temperature of the frozen food during manual defrosting, maintenance or cleaning could shorten the storage life.
- 6) The necessity that, for doors or lids fitted with locks and keys, the keys be kept out of the reach of children and not in the vicinity of the refrigerating appliance, in order to prevent children from being locked inside.

1.7 Warnings for disposal

Refrigerant and cyclopentane foaming material used for the refrigerator are flammable.

Therefore, when the refrigerator is scrapped, it shall be kept away from any fire source and be recovered by a special recovering company with corresponding qualification other than be disposed by combustion, so as to prevent damage to the environment or any other harm.



When the refrigerator is scrapped, disassemble the doors, and remove gasket of door and shelves; put the doors and shelves in a proper place, so as to prevent trapping of any child.

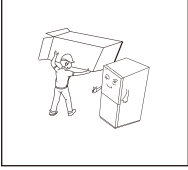


Correct Disposal of this product :

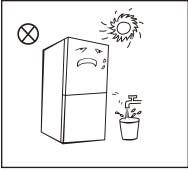
This marking indicates that this product should not be disposed with other household wastes throughout the EU. To prevent possible harm to the environment or human health from uncontrolled waste disposal, recycle it responsibly to promote the sustainable reuse of material resources. To return your used device, please use the return and collection systems or contact the retailer where the product was purchased. They can take this product for environmental safe recycling.

2 Proper use of refrigerators

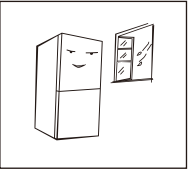
2.1 Placement



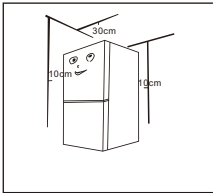
- Before use, remove all packing materials, including bottom cushions, foam pads and tapes inside of the refrigerator; tear off the protective film on the doors and the refrigerator body.



- Keep away from heat and avoid direct sunlight. Do not place the freezer in moist or watery places to prevent rust or reduction of insulating effect.
- Do not spray or wash the refrigerator; do not put the refrigerator in moist places easy to be splashed with water so as not to affect the electrical insulation properties of the refrigerator.



- The refrigerator is placed in a well-ventilated indoor place; the ground shall be flat, and sturdy (rotate left or right to adjust the wheel for levelling if unstable).



- The top space of the refrigerator shall be greater than 30cm, and The refrigerator should be placed against a wall with a free distance more than 10cm to facilitate heat dissipation.

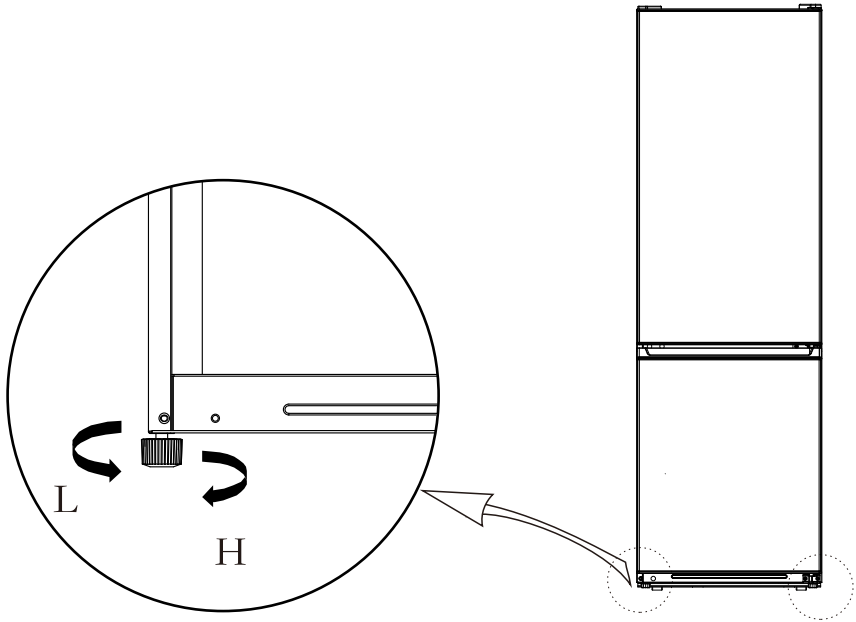
ⓘ Precautions before installation:

Before installation or adjusting of accessories, it shall be ensured that the refrigerator is disconnected from power.

Precautions shall be taken to prevent fall of the handle from causing any personal injury.

2.2 Levelling feet

Schematic diagram of the levelling feet







(The picture above is only for reference. The actual configuration will depend on the physical product or statement by the distributor)

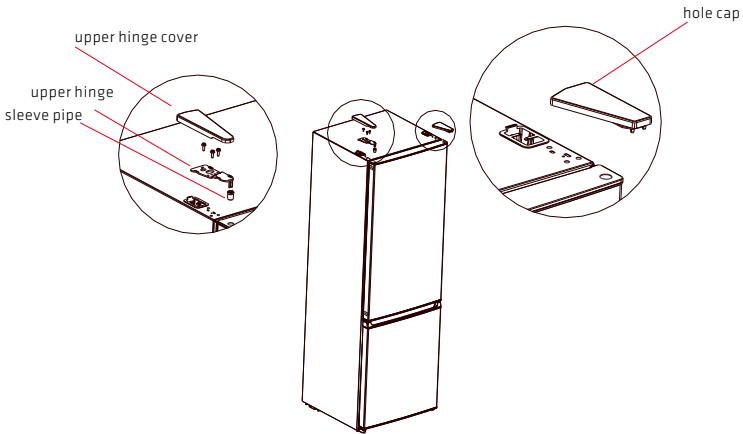
Adjusting procedures:

- a. Turn the feet clockwise to raise the refrigerator;
- b. Turn the feet counterclockwise to lower the refrigerator;
- c. Adjust the right and left feet based on the procedures above to a horizontal level.

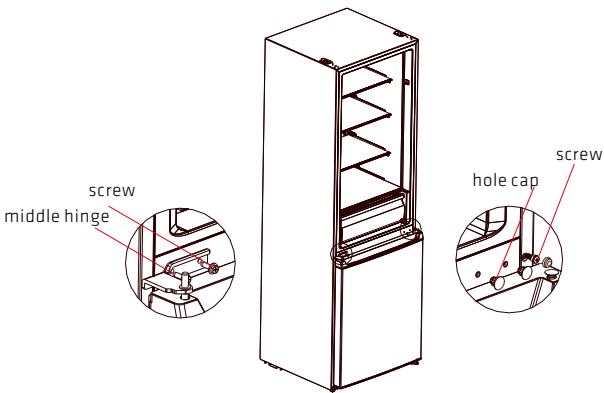
2.3 Door Right-Left Change

List of tools to be provided by the user			
	Cross screwdriver		Putty knife thin-blade screwdriver
	5/16" socket and ratchet		Masking tape

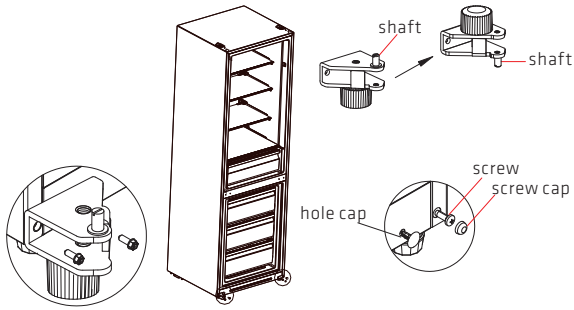
1. Power off the refrigerator, and remove all objects from the door trays.
2. Dismantle upper hinge cover, upper hinge and hole cap of the other side, remove the refrigerating door .



3. Dismantle the middle hinge, the screws, the screws hole caps and remove the freezer door.

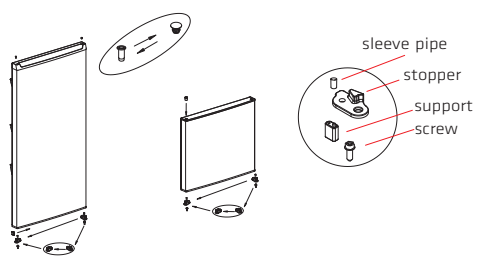


4. Dismantle the bottom hinge, hole caps and screws, Install the bottom hinge shaft and adjust foot on other side of the bottom hinge, then install the hinge on the other side.

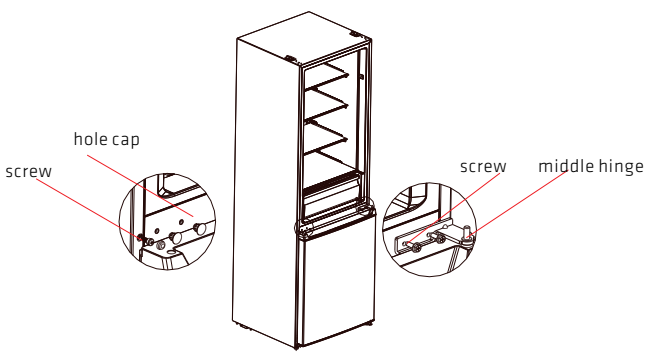


5. Dismantle the screw, sleeve pipe and stopper from the refrigerating door and freezer door, and the support on the lower cover of the refrigerating door is also removed. Then install them on the other side of the doors in order. (Take out the bottom stopper from accessories package)

Exchange the position of sleeve pipe and hole cap at the top cover of refrigerating door, and install the upper hinge sleeve on the freezer door to the hole on the other side of axis sleeve.



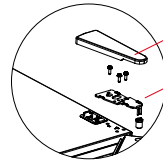
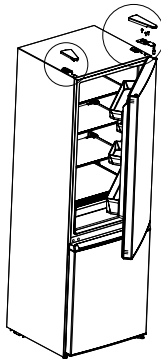
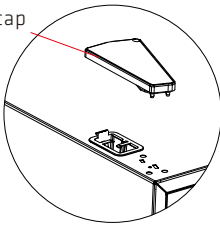
6. Put the freezer door on bottom hinge, install the middle hinge, the screws and the screw hole caps.



⚠ (The picture above is only for reference. The actual configuration will depend on the physical product or statement by the distributor)

7. Put the refrigerating door on the middle hinge, install the upper hinge, hinge cover and hole cap.

hole cap



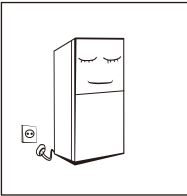
hinge cover

upper hinge

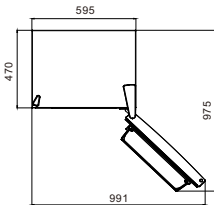
2.4 Changing the Light

Any replacement or maintenance of the LED lamps is intended to be made by the manufacturer, its service agent or similar qualified person.

2.5 Starting to use



- Before initial start, keep the refrigerator still for half an hour before connecting it to power supply.
- Before putting any fresh or frozen foods, the refrigerator shall have run for 2-3 hours, or for above 4 hours in summer when the ambient temperature is high.



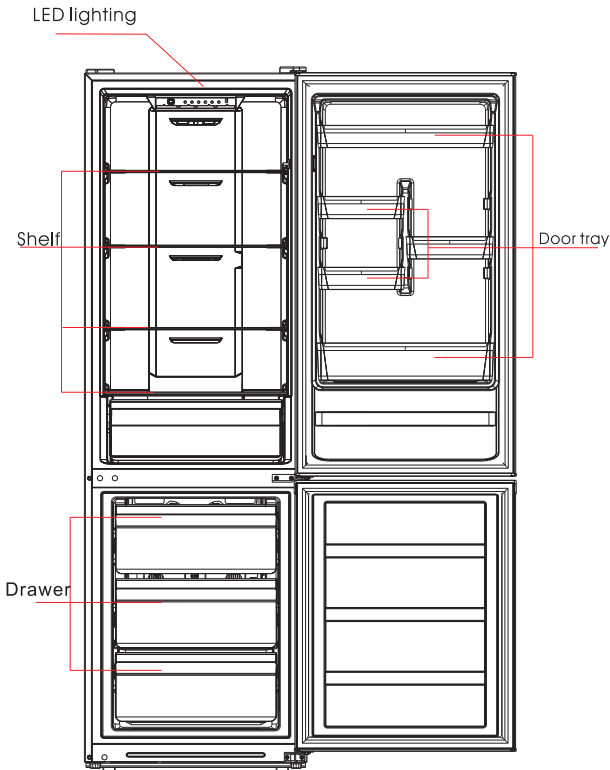
- Spare enough space for convenient opening of the doors and drawers or statement by the distributor.

2.6 Energy saving tips

- The appliance should be located in the coolest area of the room, away from heat producing appliances or heating ducts, and out of the direct sunlight.
- Let hot foods cool to room temperature before placing in the appliance. Overloading the appliance forces the compressor to run longer. Foods that freeze too slowly may lose quality, or spoil.
- Be sure to wrap foods properly, and wipe containers dry before placing them in the appliance. This cuts down on frost build-up inside the appliance.
- Appliance storage bin should not be lined with aluminum foil, wax paper, or paper toweling. Liners interfere with cold air circulation, making the appliance less efficient.
- Organize and label food to reduce door openings and extended searches. Remove as many items as needed at one time, and close the door as soon as possible.

3 Structure and functions

3.1 Key components



(The picture above is only for reference. The actual configuration will depend on the physical product or statement by the distributor)

Refrigerating chamber

- The Refrigerating Chamber is suitable for storage of a variety of fruits, vegetables, beverages and other food consumed in the short term, **suggested storage time 3days to 5days.**
- Cooking foods shall not be put in the refrigerating chamber until cooled to room temperature.
- Foods are recommended to be sealed up before putting into the refrigerator.
- The glass shelves can be adjusted up or down for a reasonable amount of storage space and easy use.

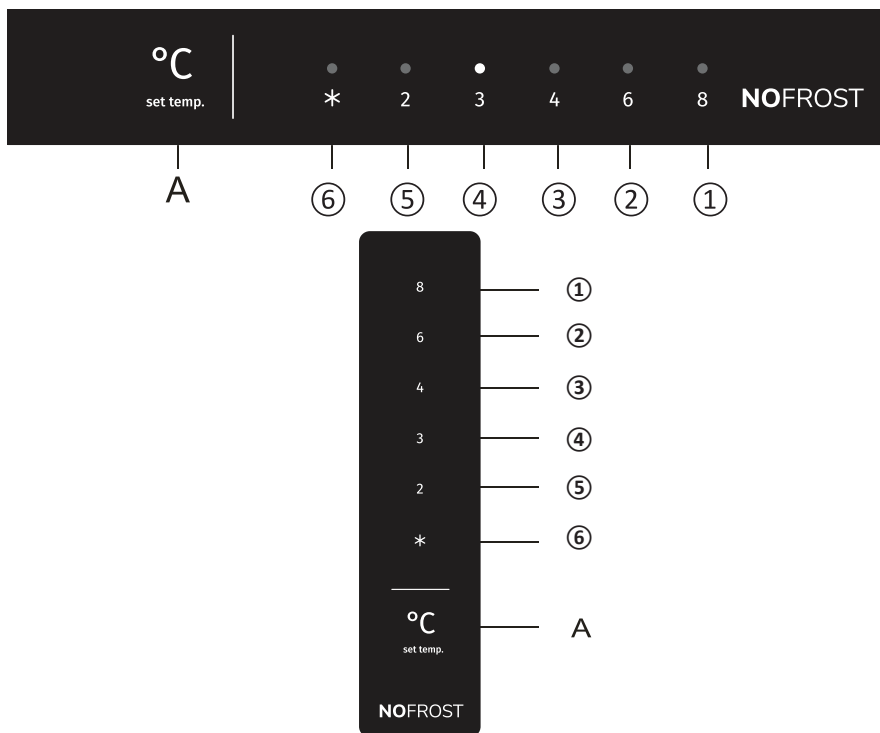
Freezing chamber

- The low temperature freezing chamber may keep food fresh for a long time and it is mainly used to store frozen foods and making ice.
- The freezing chamber is suitable for storage of meat, fish, rice balls and other foods not to be consumed in short term.
- Chunks of meat are preferably to be divided into small pieces for quick freezing and easy access. Please be noted food shall be consumed within the shelf time.

Drawers, food boxes, shelves, etc. placed according to the position in the picture above are the most energy efficient.

Note: Storage of too much food during operation after the initial connection to power may adversely affect the freezing effect of the refrigerator.

3.2 Functions



⚠ (The picture above is only for reference. The actual configuration will depend on the physical product or statement by the distributor)

1.Key

A. Temperature setting button

2.Display screen

- ① temperature setting 1
- ② temperature setting 2
- ③ temperature setting 3
- ④ temperature setting 4
- ⑤ temperature setting 5
- ⑥ temperature setting 6

3.Display

When power-on the refrigerator, the display screen (including the key light) will shine in full for 3s, then the refrigerator runs according to temperature setting 3.

Display of normal running

On the occurrence of a failure, the corresponding LED light will give a combined display of failure code (in recycling display);

Where there is no failure, the LED light will display the existing temperature setting.

4.Gear setting

The temperature setting will be changed once every time when you press the key SET. Then, the refrigerator will run under the new setting value after 15s.

Setting1 → Setting2 → Setting3 → Setting4 → Setting5 → Setting6 → Setting1 → …

Fast cool mode:

Enter: Circulating modulation rapid cooling mode.

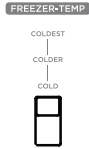
Operate: Indicator of rapid cooling lights up, and the refrigerator operates at 2°C.

Fast cool mode automatically disabled for 24H.

Fast cool function can be used as Super freezing function.

5. Adjustment of manual air damper knob

Turn the air damper slider up, the actual temperature inside the freezer room will drop, turn the air damper slider down, the actual temperature inside the freezer room will rise.



6. Error code


The following warnings appearing on the display indicate corresponding faults of the refrigerator. Though the refrigerator may still have cooling and freezing function with the following faults, the user shall contact a maintenance specialist for maintenance, so as to ensure normal use of the refrigerator.

Fault Code	Fault Description
The LED① and LED② lit	Refrigerator temperature sensor circuit
The LED① and LED③ lit	Freezer defrost sensor
The LED① and LED④ lit	Ambient temperature sensor

4. Maintenance and care of the appliance

4.1 Overall cleaning

- Dusts behind the refrigerator and on the ground shall be timely cleaned to improve the cooling effect and energy saving.
- Check the door gasket regularly to make sure there are no debris. Clean the door gasket with a soft cloth dampened with soapy water or diluted detergent.
- The interior of the refrigerator should be cleaned regularly to avoid odor.
- Please turn off the power before cleaning interior, remove all foods, drinks, shelves, drawers, etc.
- Use a soft cloth or sponge to clean the inside of the refrigerator, with two tablespoons of baking soda and a quart of warm water. Then rinse with water and wipe clean. After cleaning, open the door and let it dry naturally before turning on the power.
- For areas that are difficult to clean in the refrigerator (such as narrow sandwiches, gaps or corners), it is recommended to wipe them regularly with a soft rag, soft brush, etc. and when necessary, combined with some auxiliary tools (such as thin sticks) to ensure no contaminants or bacterials accumulation in these areas.
- Do not use soap, detergent, scrub powder, spray cleaner, etc., as these may cause odors in the interior of the refrigerator or contaminated food.
- Clean the bottle frame, shelves and drawers with a soft cloth dampened with soapy water or diluted detergent. Dry with a soft cloth or dry naturally.
- Wipe the outer surface of the refrigerator with a soft cloth dampened with soapy water, detergent, etc., and then wipe dry.
- Do not use hard brushes, clean steel balls, wire brushes, abrasives (such as toothpastes), organic solvents (such as alcohol, acetone, banana oil, etc.), boiling water, acid or alkaline items, which may damage the fridge surface and interior. Boiling water and organic solvents such as benzene may deform or damage plastic parts.
- Do not rinse directly with water or other liquids during cleaning to avoid short circuits or affect electrical insulation after immersion.

 Please unplug the refrigerator for defrost and cleaning.




4.2 Defrosting

- The refrigerator is made based on the air-cooling principle and thus has automatic defrosting function. Frost formed due to change of season or temperature may also be manually removed by disconnection of the appliance from power supply or by wiping with a dry towel.

4.3 Out of operation

- Power failure: In case of power failure, even if it is in summer, foods inside the appliance can be kept for several hours; during the power failure, the times of door opening shall be reduced, and no more fresh food shall be put into the appliance.
- Long-time nonuse: The appliance shall be unplugged and then cleaned; then the doors are left open to prevent odor.
- Moving: Before the refrigerator is moved, take all objects inside out, fix the glass partitions, vegetable holder, freezing chamber drawers and etc. with tape, and tighten the levelling feet; close the doors and seal them with tape. During moving, the appliance shall not be laid upside down or horizontally, or be vibrated; the inclination during movement shall be no more than 45°.

 The appliance shall run continuously once it is started. Generally, the operation of the appliance shall not be interrupted; otherwise the service life may be impaired

5 Trouble shooting

**5.1 You may try to solve the following simple problems by yourself.
If them cannot be solved, please contact the after-sales department.**

Failed operation	<p>Check whether the appliance is connected to power or whether the plug is in well contact</p> <p>Check whether the voltage is too low</p> <p>Check whether there is a power failure or partial circuits have tripped</p>
Odor	<p>Odorous foods shall be tightly wrapped</p> <p>Check whether there is any rotten food</p> <p>Clean the inside of the refrigerator</p>
Long-time operation of the compressor	<p>Long operation of the refrigerator is normal in summer when the ambient temperature is high</p> <p>It is not suggestible having too much food in the appliance at the same time</p> <p>Food shall get cool before being put into the appliance</p> <p>The doors are opened too frequently</p>
Light fails to get lit	<p>Check whether the refrigerator is connected to power supply and whether the illuminating light is damaged</p> <p>Have the light replaced by a specialist</p>
Doors cannot be properly closed	<p>The door is stuck by food packages</p> <p>The refrigerator is tilted</p>
Loud noise	<p>Check whether the floor is level and whether the refrigerator is placed stably</p> <p>Check whether accessories are placed at proper locations</p>
Door seal fails to be tight	<p>Remove foreign matters on the door seal</p> <p>Heat the door seal and then cool it for restoration (or blow it with an electrical drier or use a hot towel for heating)</p>
Water pan overflows	<p>There is too much food in the chamber or food stored contains too much water, resulting in heavy defrosting.</p> <p>The doors are not closed properly, resulting in frosting due to entry of air and increased water due to defrosting.</p>
Hot housing	<p>Heat dissipation of the built-in condenser via the housing, which is normal</p> <p>When housing becomes hot due to high ambient temperature, storage of too much food, provide sound ventilation to facilitate heat dissipation.</p>
Surface condensation	<p>Condensation on the exterior surface and door seals of the refrigerator is normal when the ambient humidity is too high. Just wipe the condensate with a clean towel.</p>
Abnormal noise	<p>Buzz: The compressor may produce buzzes during operation, and the buzzes are loud particularly upon start or stop. This is normal.</p> <p>Creak: Refrigerant flowing inside of the appliance may produce creak, which is normal.</p>

Table 1 Climate classes

Class	Symbol	Ambient temperature range °C
Extended temperate	SN	+ 10 to + 32
Temperate	N	+ 16 to + 32
Subtropical	ST	+ 16 to + 38
Tropical	T	+ 16 to + 43

Extended temperate: 'this refrigerating appliance is intended to be used at ambient temperatures ranging from 10 °C to 32 °C';

temperate: 'this refrigerating appliance is intended to be used at ambient temperatures ranging from 16 °C to 32 °C';

Subtropical: 'this refrigerating appliance is intended to be used at ambient temperatures ranging from 16 °C to 38 °C';

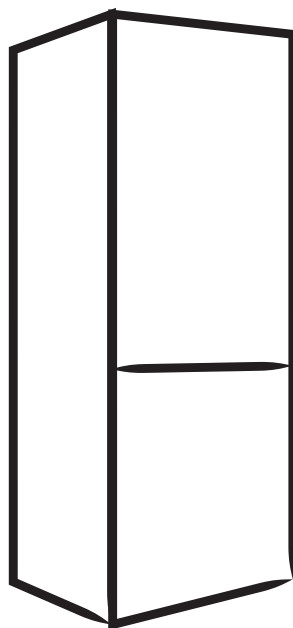
Tropical: 'this refrigerating appliance is intended to be used at ambient temperatures ranging from 16 °C to 43 °C';



KZ

ПАЙДАЛАНУШЫ НҰСҚАУЛЫҒЫ

ТОҢАЗЫТҚЫШ



Қолданар алдында нұсқаулықты мұқият оқып шығыңыз.

Нұсқаулықты болашақта анықтама үшін пайдалану үшін қауіпсіз әрі қолжетімді жерде сақтау қажет

version:001

МОДЕЛЬ: MDRB424FGF *SERIES

www.midea.com

МАЗМҰНЫ

Қауіпсіздік шаралары	3
Құрылғыны пайдалану кезінде сақтық шаралары.....	3
Ескерту белгілерінің мағынасы.....	5
Электр қауіпсіздігі.....	5
Пайдалану жөніндегі сақтық шаралары.....	6
Тамақты қауіпсіз сақтау.....	6
Пайдалану жөніндегі ескертулер.....	7
Кәдеге жарату жөніндегі ескертулер.....	7
Құрылғыны дұрыс пайдалану	8
Орнату.....	8
Құралды теңестіру.....	9
Пайдалануды бастау.....	10
Энергия үнемдеу бойынша кеңестер.....	10
Есікті қайта орналастыру	11
Қажетті құралдар тізімі.....	11
Есіктің үстіңгі топсасын алу.....	11
Мұздатқыш камерасы есігін шешу.....	12
Астыңғы топсаны қайта орнату.....	12
Тежеуішті қайта орнату.....	13
Мұздатқыш камерасы есігін қайта орнату.....	14
Тоңазытқыш камерасы есігін қайта орнату.....	14
Құрылымы мен функциялары	15
Жиынтық құрамы.....	15
Басқару панелі.....	17
Қызмет көрсету және күтім	18
Жалпы тазалау.....	18
Мұздан еріту.....	19
Уақытша пайдаланбау.....	19
Ақаулық себебін түзету	20
Ақаулық кестесі.....	20
Қателіктер коды.....	21
Қосымша ақпарат	22

ҚҰРМЕТТІ САТЫП АЛУШЫ!

Жаңа тоңазытқышты сатып алғаныңызбен құттықтаймыз.
Біздің өнімдерді таңдағаныңызға алғыс білдіреміз.

Құрылғыны қолданар алдында нұсқаулықты мұқият оқып шығыңыз. Болашақта пайдалану үшін нұсқаулықты сақтап қойыңыз. Осы нұсқаулықты басқа қолданушылардың да оқығанына көз жеткізіңіз.

ҚАУІПСІЗДІК ШАРАЛАРЫ

ҚҰРЫЛҒЫНЫ ПАЙДАЛАНУ КЕЗІНДЕ САҚТЫҚ ШАРАЛАРЫ



Назар аударыңыз! Өртке қауіпті / жанғыш материалдар!

БҮЛ құрал тұрмыстық және ұқсас жағдайларда қолдануға арналған, мысалы, дүкендердегі қызметкерлерге арналған ас үй, кеңселер және басқа да қызметтік үй-жайлар; қонақ үйлер, мотельдер және ұқсас азық-түліктік емес мекемелерде.

БҮЛ құрылғы физикалық, сенсорлық немесе ақыл-ой қабілеттері төмен адамдарға немесе қауіпсіз пайдалану жөнінде тәжірибесі мен білімі жоқ адамдарға қолдануға арналмаған, егер қауіпсіздігі үшін жауапты адам қадағаламаған жағдайларды есептемегенде.

БАЛАЛАРДЫҢ құрылғымен ойнамауын қадағалап отыру керек. Егер қуат сымы зақымдалған болса, қауіпті жағдай туғызбас үшін оны өндіруші немесе сервистік қызмет ауыстыруы керек.

ЖАРЫЛҒЫШ аэрозоль тәрізді жанғыш заттарды құрылғыда сақтауға болмайды.

Пайдаланғаннан кейін және техникалық қызмет көрсету жұмыстарын жүргізер алдында құрылғыны қуат көзінен ажырату қажет.

НАЗАР АУДАРЫҢЫЗ! Аспап корпусындағы немесе кіріктірілген құрылымдағы желдеткіш саңылауларды бөгемеңіз.

НАЗАР АУДАРЫҢЫЗ! Өндіруші ұсынғаннан басқа, еріту процесін жылдамдату үшін механикалық құрылғыларды немесе басқа құралдарды пайдаланбаңыз.

НАЗАР АУДАРЫҢЫЗ! Хладагент контурына зиян келтірмеңіз.

НАЗАР АУДАРЫҢЫЗ! Егер олар өндіруші ұсынған түрге жатпаса, азық-түлік өнімдерін сақтау бөліктерінде электр құралдарын пайдаланбаңыз.

НАЗАР АУДАРЫҢЫЗ! Тоңазытқышты тез тұтанатын заттар мен салқындатқыш заттар бар құрылғыларды жоюға арналған жергілікті ережелерге сәйкес кәдеге жаратыңыз.

АСПАПТЫ орналастырған кезде қуат сымының қысылмағанына немесе зақымдалмағанына көз жеткізіңіз.

АСПАПТЫҢ артқы панеліне көп орынды розетка немесе портативті қуат адаптерін қоймаңыз.

ҰЗАРТҚЫШ сымдарды немесе жерге тұйықталмаған адаптерді (2 сымды, 2 түйіспелі) пайдаланбаңыз.

АКСЕССУАРЛАРДЫ орнатпас бұрын тоңазытқышты қуат көзінен ажырату керек.

ҚҰРАЛДЫҢ қоршаған ортаға зиян тигізбеуі немесе басқа зиян келтірмеуі үшін оны өртемеңіз.

ҚҰЛЫПТАРМЕН жабдықталған есіктердің кілттерін, балалардың ішіне кіріп кетуіне жол бермеу үшін, оларды тоңазытқыштан алыс, балалардың қолы жетпейтін жерде сақтаңыз.

ЕН СТАНДАРТЫНА сәйкес: бұл құрылғыны 8 жастан асқан балалар, сондай-ақ физикалық сенсорлық немесе ақыл-ой қабілеттері төмен, немесе тәжірибесі мен білімі жеткіліксіз адамдар, егер олар бақылауда болса, немесе құрылғыны қауіпсіз пайдалану туралы нұсқаулық берілсе, және онымен байланысты қауіпті түсінсе қолдана алады.

ТАҒАМНЫҢ ЛАСТАНУЫН БОЛДЫРМАУ ҮШІН КЕЛЕСІ НҮСҚАУЛАРДЫ ОРЫНДАҢЫЗ:

Есікті ұзақ уақыт бойы ашу құрылғының бөлімдеріндегі температураның айтарлықтай көтерілуіне әкелуі мүмкін.

Тамақ өнімдерімен жанасатын беттерді және қол жетімді кептіру жүйелерін үнемі тазалаңыз.

Егер олар 48 сағат бойы пайдаланылмаса, су резервуарларын тазалаңыз. Егер су 5 күн ішінде шығарылмаса, су құбырына қосылған су құбыры жүйесін жуыңыз. (1 ескерту)

Шикі ет пен балықты басқа тағаммен жанаспауы немесе басқа тамаққа тамып кетпеуі үшін оларды тоңазытқышта сәйкес ыдыста сақтаңыз.

Екі (**)
жұлдызы бар бөлімдер алдын-ала мұздатылған тағамды сақтауға, балмұздақ сақтауға және дайындауға, мұз текшелерін жасауға жарамды. (2 ескерту)

Бір (*), екі (**)
немесе үш (***)
жұлдыздары бар бөлімдер жаңа тағамды мұздатуға жарамсыз. (3 ескерту)

Төрт (****)
жұлдызы жоқ бөлімдер тағамды мұздатуға жарамсыз. (4 ескерту)

1, 2, 3, 4 ескерту: өтініміз, құрылғының бөлім түріне сәйкес келетіндігін тексеріңіз.

БӨЛЕК тұратын құрылғы үшін: бұл салқындатқыш құрылғы кіріктірілген құрылғы ретінде пайдалануға арналмаған.

ЖАРЫҚДИОДТЫ шамдарды ауыстыруды немесе техникалық қызмет көрсетуді өндіруші және сервистік қызмет жүзеге асырады.

БҮЛ өнімде энергия тиімділігі класы (F) жарық көзі бар.

ЕСКЕРТУ БЕЛГІЛЕРІНІҢ МАҒЫНАСЫ



ТЫЙЫМ САЛУ БЕЛГІЛЕР

Белгі мұндай әрекеттерге жол берілмейтіндігін көрсетеді. Нұсқауларды орындамау құрылғының бұзылуына немесе қолданушыларға қауіп төндіруі мүмкін.



НҮСҚАУ БЕЛГІЛЕР

Белгілер орындауға арналған нұсқаулықтан тұрады, іс-әрекеттер қажет нұсқаулыққа сәйкес қатаң түрде орындалуы керек. Нұсқауларды орындамау аспаптың бұзылуына немесе қолданушыларға қауіп төндіруі мүмкін.

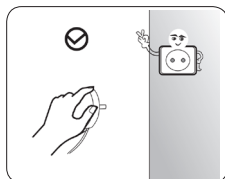


ЕСКЕРТПЕЛЕР

Белгілер қажетті әрекеттерге немесе тәртіптерге назар аударады. Бұл шаралар аспаптың аздап немесе орташа бұзылуын немесе зақымдалуын болдырмау үшін қолданылуы керек.

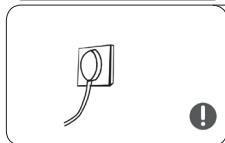
Бұл нұсқаулықта сақталуы керек көптеген маңызды қауіпсіздік сақтау ақпараттары бар.

ЭЛЕКТР ҚАУІПСІЗДІГІ



• Ашаны суырған кезде қуат сымын тартпаңыз. Штепсельді розеткадан тіке тартып мықтап ұстап шығарыңыз.

• Сымды ешбір жағдайда зақымдамаңыз. Сымы зақымдалған немесе тозған құралды пайдаланбаңыз.



• Жеке розетканы қолданыңыз, розетканы басқа электр құралдарымен бірге пайдаланбаңыз. Штепсельді аша розеткаға нығыздап бекітілуі тиіс, әйтпесе өрт шығуы мүмкін.

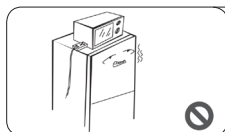
• Штепсель розеткаға мықтап енуі керек, әйтпесе өрт шығу қаупі бар.

• Розетканың жерге тұйықтау электродында сенімді жерге тұйықтау сызығы бар екеніне көз жеткізіңіз.



• Тұрмыстық газ және басқа да тұтанғыш заттар ағып кеткен жағдайда газ беруді жабыңыз, содан кейін есіктер мен терезелерді ашыңыз.

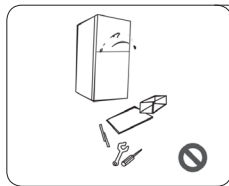
• Тоңазытқыш пен басқа да электр құралдарын розеткадан ажыратпаңыз, себебі ұшқын өрт тудыруы мүмкін.



• Жұмыс істеп тұрған электр аспаптарын, өндіруші ұсынған жағдайларды қоспағанда, тоңазытқышқа қоймаңыз.

• Тағам бөлімінде электр құрылғыларын пайдаланбаңыз.

ПАЙДАЛАНУ ЖӨНІНДЕГІ САҚТЫҚ ШАРАЛАРЫ



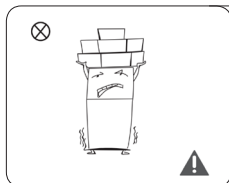
- Өмір мен денсаулыққа қауіп төндірмеу үшін, тоңазытқышты бөлшектемеңіз және жөндемеңіз, хладагенттің контурын зақымдамаңыз.
- Аспаптарға техникалық қызмет көрсетуді тек маман жүргізуі тиіс.
- Қауіпті жағдайды болдырмау үшін сақымдалған қуат сымын өндірүші, техникалық қызмет көрсету бөлімі немесе онымен байланысты мамандар ауыстырады.



- Тоңазытқыш камерасы мен есіктің арасындағы саңылау аз – саусақтарыңызды қысып алмаңыз. Сақталған тағамды құлатпау үшін есікті ақырын жабу керек.
- Тоңазытқыштың жұмысы кезінде мұздатқыш камерадан өнімдерді немесе контейнерлерді, әсіресе, үсік болмас үшін металл контейнерлерді дымқыл қолмен шығармаңыз.

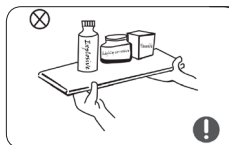


- Балаларға тоңазытқышқа немесе оның үстіне шығуға рұқсат бермеңіз, әйтпесе бұл баланың жарақаттануына немесе құлауына әкелуі мүмкін
- Балалардың тоңазытқыштың есігінде асылуына жол бермеңіз. Әйтпесе, олар ауыр жарақат алуы мүмкін.



- Тоңазытқыштың үстіне ауыр заттарды қоймаңыз, себебі бұл заттар тоңазытқыштың есіктерін жабу немесе ашу кезінде құлауы мүмкін және жарақат алуына әкелуі мүмкін.
- Штепсель ашасын электр қуатының шалыс істеп тұрған жағдайларында немесе құралды тазаламас бұрын розеткадан алып тастаңыз. Дәйекті қосылыстардың салдарынан компрессордың зақымдануын болдырмау үшін құралды бес минут ішінде қуат көзіне қайта қоспаңыз.

ТАМАҚТЫ ҚАУІПСІЗ САҚТАУ



- Өнімнің жануын немесе зақымдануын болдырмау үшін тоңазытқышқа тез тұтанатын, жарылу қаупі бар, ұшпалы және коррозиялық белсенді заттарды қоймаңыз.
- Өртті болдырмау үшін тез жанатын материалдарды мұздатқыштың жанына қоймаңыз.



- Тоңазытқыш тұрмыстық пайдалануға арналған, мысалы, тамақ өнімдерін сақтауға арналған. Ол қан, дәрі-дәрмектер немесе биологиялық өнімдер және т. б. сақтау сияқты басқа мақсаттарға пайдаланылмауы тиіс.



- Шөлмектердегі немесе алюминий банкарлардағы, сондай-ақ шыны ыдыстағы сыраны, сусындарды немесе басқа да сұйықтықтарды тоңазытқыштың мұздатқыш камерасында сақтамаңыз. Әйтпесе шыны немесе алюминий банкарлар аяздан сынуы мүмкін, бұл аспаптың зақымдануына әкелуі мүмкін.

ПАЙДАЛАНУ ЖӨНІНДЕГІ ЕСКЕРТУЛЕР

Тоңазыту жабдығы егер ол ұзақ уақыт бойы тоңазыту жабдығына арналмаған температуралардың ауытқуы шегінде болса, тұрақсыз жұмыс істеуі мүмкін (мысалы, ішіндегіні еріту мүмкіндігі немесе мұздатылған өнімдерге арналған камерада тым жоғары температура).

Көпіретін сусындарды мұздатқыш камераларда немесе тамақ өнімдеріне арналған шкафтарда, сондай-ақ төмен температуралы камераларда немесе шкафтарда сақтауға болмайды.

Өндірушілер ұсынған тамақ өнімдерін, әсіресе тез мұздатылатын тамақ өнімдерін мұздатқыштар мен мұздатылған тағамдарды сақтау шкафтарында сақтау уақытынан асырмаңыз.

Еріту кезінде мұздатқыштан шығарылған, мұздатылған немесе салқындатылған тағамның шамадан тыс қызып кетуіне жол бермеу үшін сақтық шараларын қолдану қажет - мысалы, оны бірнеше қабат газетке ораңыз.

Қолмен еріту, техникалық қызмет көрсету немесе тазалау кезінде мұздатылған өнім температурасының артуы олардың сақталу мерзімін қысқартуы мүмкін.

КӘДЕГЕ ЖАРАТУ ЖӨНІНДЕГІ ЕСКЕРТУЛЕР



Тоңазытқыш өндірісінде қолданылатын хладагент және циклопентандты пеноматериалдар оңай тұтанады. Сондықтан тоңазытқышты зақымдаған кезде ол кез келген от көзінен алыс сақталуы және тиісті біліктілігі бар арнайы кәдеге жаратушы компаниямен шығарылуы тиіс, сондай-ақ қоршаған ортаға зиян келтірмеу немесе кез келген басқа зиян келтірмеу үшін жағудан өзгеше тәсілмен кәдеге жаратылуы тиіс.



Тоңазытқышты кәдеге жарату кезінде есіктерді бөлек алыңыз, есік төсемін алып тастаңыз, сондай-ақ сөрелерді алып тастаңыз. Балалар ішінде құлыптап қалмауы үшін есіктер мен сөрелерді бөлек кәдеге жаратыңыз.

НАЗАР АУДАРЫҢЫЗ!

Бұл нұсқаулық пайдаланушылар орындауы керек қауіпсіз пайдалану туралы маңызды ақпаратты қамтиды.

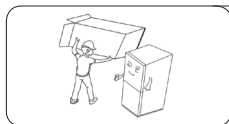


Қалдықтарды бақылаусыз кәдеге жарату нәтижесінде қоршаған ортаға немесе адам денсаулығына зиян келтірудің алдын алу мақсатында оларды материалдық ресурстарды тиімді пайдалану үшін қайта өңдеуге тапсырыңыз.

Пайдаланылған құрылғыны кәдеге жарату үшін қайтару қызметіне хабарласыңыз немесе өнім сатып алынған дүкенге хабарласыңыз. Олар өнімді қоршаған ортаға қауіпсіз өңдеуге жібере алады.

ҚҰРЫЛҒЫНЫ ДҰРЫС ПАЙДАЛАНУ

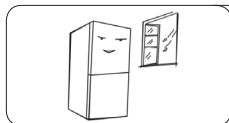
ОРНАТУ



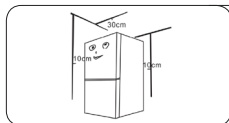
Аспапты қолданар алдында тоңазытқыштың түбінен астарды, пенопласт төсемдерін және тоңазытқыштың ішіндегі қабықшаны, барлық буып-түю материалдарын алып тастаңыз. Есіктер мен тоңазытқыш корпусының қорғаныс қабығын алыңыз.



Аспапты жылу көздерінен алыс және тоңазытқышқа тікелей күн сәулесі түсетін жерден алыс орнатыңыз. Тот пайда болуын болдырмау немесе оқшаулау әсерін төмендету үшін тоңазытқышты ылғалдылығы жоғары жерлерге қоймаңыз.



Тоңазытқыш тегіс және қатты бетке орнатылуы және жақсы желдетілетін үй-жайда орналасуы тиіс. Егер ол тұрақсыз болса, аяқты реттеу үшін солға немесе оңға бұраңыз.



Тоңазытқышты орнату кезінде бүйірлері мен артқы жағында 10 см бос кеңістік және аспаптың жоғарғы жағында 30 см бос кеңістік бар екеніне көз жеткізіңіз. Бұл суық ауаға еркін айналуға мүмкіндік береді

ЕСКЕРТУ

Аксессуарларды орнатпай және реттемей тұрып, тоңазытқыштың қуат көзінен ажыратылғанына көз жеткізіңіз.

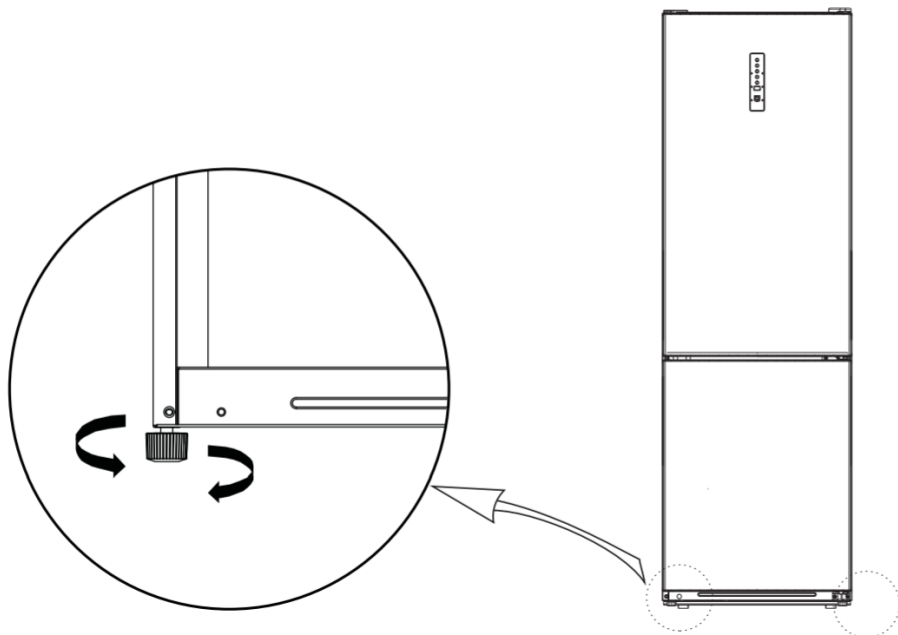
Керек-жарақтардың құлауын болдырмау және қандай да бір жарақат алмау мақсатында сақтық шаралары қабылдануы тиіс.

ШАМДЫ АУЫСТЫРУ

Жарықдиодты шамдарды ауыстыру немесе техникалық қызмет көрсетуді сервистік қызмет көрсету немесе сол сияқты білікті қызметкерлер жүзеге асыруы керек.

ҚҰРЫЛҒЫНЫ ТЕҢЕСТІРУ

Тоңазытқыш аяғын реттеу сызбасы



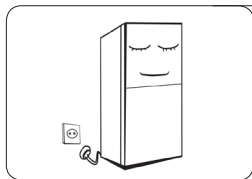
Реттеу процессі

1. Тоңазытқышты көтеру үшін аяқты сағат тілімен бұраңыз.
2. Тоңазытқышты түсіру үшін аяқты сағат тіліне қарсы бұраңыз.
3. Жоғарыда көрсетілген процедураларды пайдаланып, оң және сол аяқты көлденең деңгейге келтіріңіз.

ЕСКЕРТУ

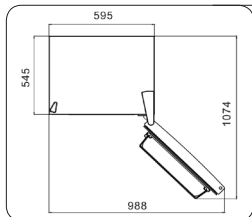
Жоғарыдағы сурет тек анықтама үшін арналған. Нақты конфигурация өнімнің өзіне байланысты болады.

ПАЙДАЛАНУДЫ БАСТАУ



Тоңазытқышты қуат көзіне бірінші рет қоспас бұрын, оны екі сағат бойы қозғалтпаңыз.

Тоңазытқышты кез-келген жаңа немесе мұздатылған тағаммен толтырар алдында 2-3 сағат жұмыс жасатыңыз немесе қоршаған орта температурасы жоғары болған кезде жазда 4 сағат жұмыс істетіңіз.



Есіктер мен тартпаларды оңай ашу үшін жеткілікті кеңістікті немесе өндіруші айтқан көлемді сақтаңыз.

ЭНЕРГИЯ ҮНЕМДЕУ БОЙЫНША КЕҢЕСТЕР

Құрылғы бөлменің ең салқын бөлігінде, жылу көздерінен немесе жылыту құрылғыларынан және күн сәулесінен алыс жерде орналасуы керек.

Тоңазытқышқа салмас бұрын, ыстық тағамды бөлме температурасына дейін суытыңыз. Құрылғының шамадан тыс жүктелуі компрессордың ұзақ жұмыс істеуіне әкеледі. Тым баяу қататын тағамдардың сапасы төмендеуі немесе нашарлауы мүмкін.

Тоңазытқышқа салмас бұрын тағамды жақсылап орап, контейнерлерді құрғатыңыз. Бұл мұз түзілуін азайтуға көмектеседі.

Азық-түлік сақтайтын қораптар алюминий фольгамен, балауыздалған қағаздан немесе қағаз сүлгілермен қапталмауы керек, себебі олар суық ауаның айналымын бұзады, Ал бұл құрылғының тиімділігін төмендетеді.

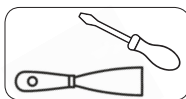
Тоңазытқыш есіктерін ашу мен іздеу уақытын азайту үшін тағамды реттеңіз және белгілеңіз. Бір уақытта қажет болатын тағамның көп мөлшерін шығарып, тоңазытқыштың есігін мүмкіндігінше тез жабыңыз.

ЕСІКТІ ҚАЙТА ОРНАТУ

ҚАЖЕТТІ ҚҰРАЛДАР ТІЗІМІ



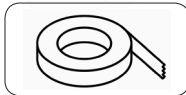
Айқыш бұрауыш



Қалақша және және ұсақ жүзді бұрауыш



Зырылдауық 8 мм

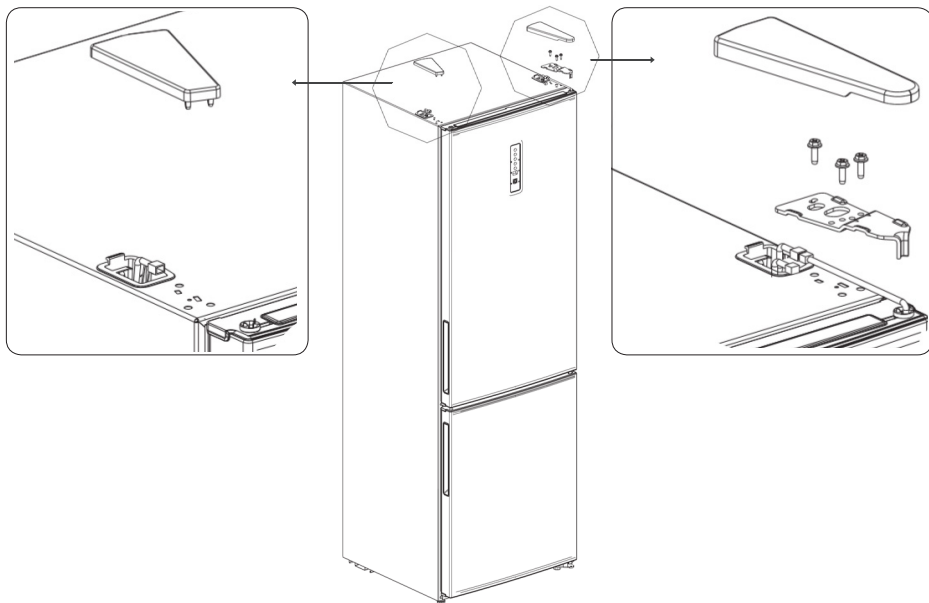


Малярлық скотч

ЕСІКТИҢ ҮСТІҢГІ ТОПСАСЫН АЛУ

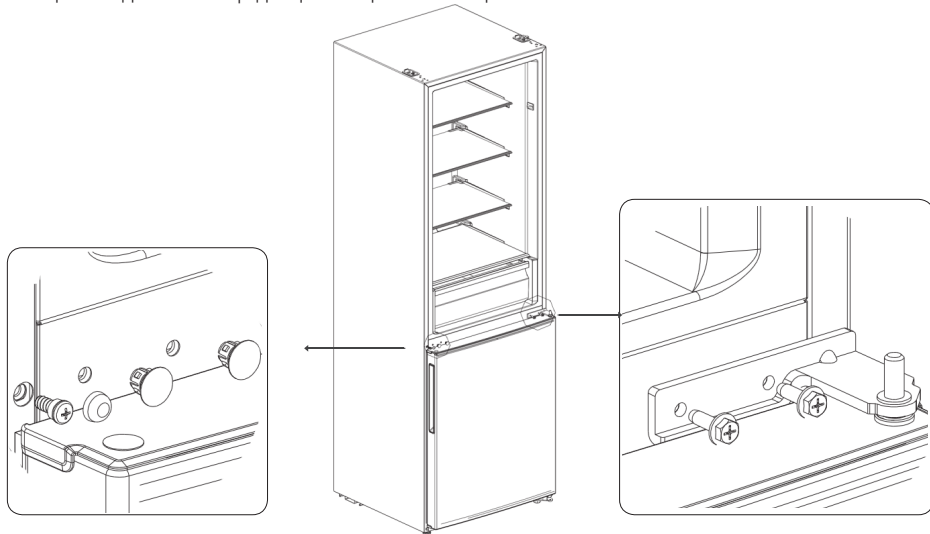
Есікті қайта орнатпас бұрын құралды өшіріңіз. Барлық тағамдарды есік сөрелерінен алыңыз.

Жоғарғы топсаның қақпағын алыңыз, сигнал сымдарын ажыратыңыз. Топсаның бұрандаларын, тесік қорғаныш қақпақтарын шешіп, есікті алыңыз.



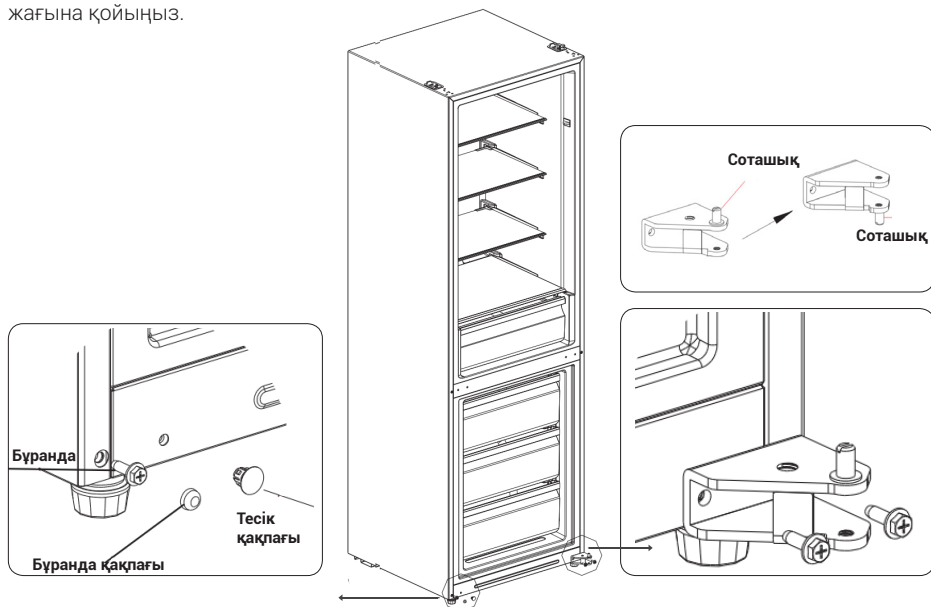
МҰЗДАТҚЫШ КАМЕРАСЫ ЕСІГІН ШЕШУ

Ортаңғы топсаны, бұрандаларды, бұрандалы тесіктерге арналған қорғаныш қақпақты алыңыз. Содан кейін мұздатқыштың есігін алыңыз.



АСТЫҢҒЫ ТОПСАНЫ ҚАЙТА ОРНАТУ

Төменгі топсаны, бұрандаларды, бұрандалы тесіктердің қорғаныш қақпағын алыңыз. Төменгі соташықты төменгі топсаның екінші жағына қойыңыз. Және жиналған топсаны екінші жағына қойыңыз.

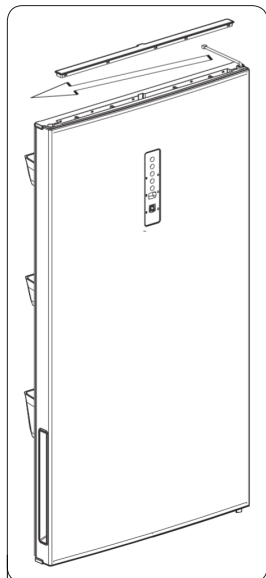


ТЕЖЕУІШТІ ҚАЙТА ОРНАТУ

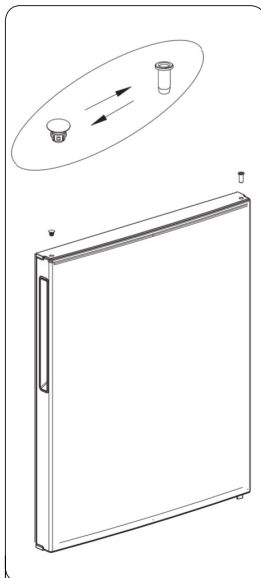
Екі есіктің төменгі қақпағындағы бұрандаларды, втулканы және тежеуішті алыңыз. Содан кейін оларды есіктің екінші жағына орнатыңыз. (Тежеуішті керек-жарақтар қорабынан ауыстыру керек.)

Тоңазытқыш камерасының үстіңгі қақпағын алыңыз да, есік корпусының екінші жағындағы монтаждау ширақ пен втулканы ауыстырыңыз.

Соңында, жоғарғы топсаның втулкасын мұздатқыш бөліміне тоңазытқыш камерасы қақпағының жоғарғы жиегінің екінші жағындағы тесікке орнатыңыз.



**ТОҢАЗЫТҚЫШ
КАМЕРА ЕСІГІ**



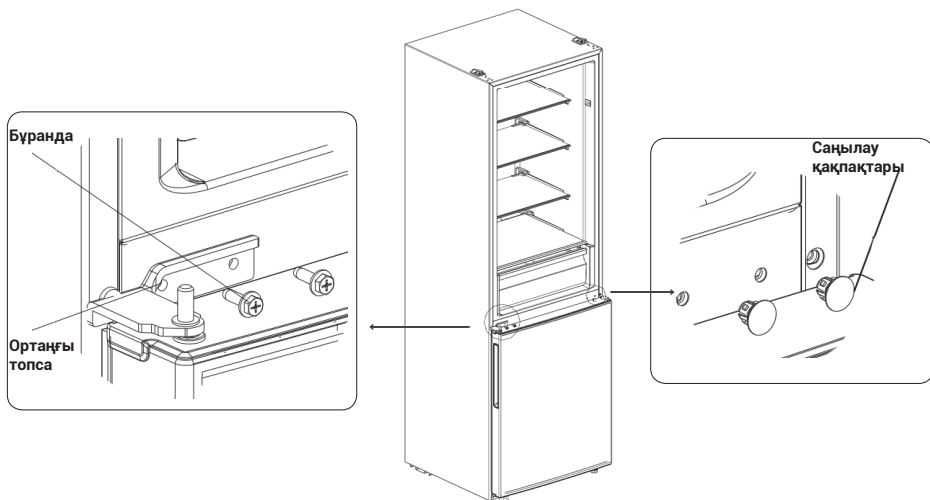
**МҰЗДАТҚЫШ
КАМЕРА ЕСІГІ**



ТЕЖЕУІШ

МҮЗДАТҚЫШ КАМЕРАСЫ ЕСІГІН ҚАЙТА ОРНАТУ

Мұздатқыштың есігін төменгі топсаға қойыңыз. Ортаңғы топсаны, бұрандаларды және бұрандалы тесік қақпақтарын орнатыңыз.

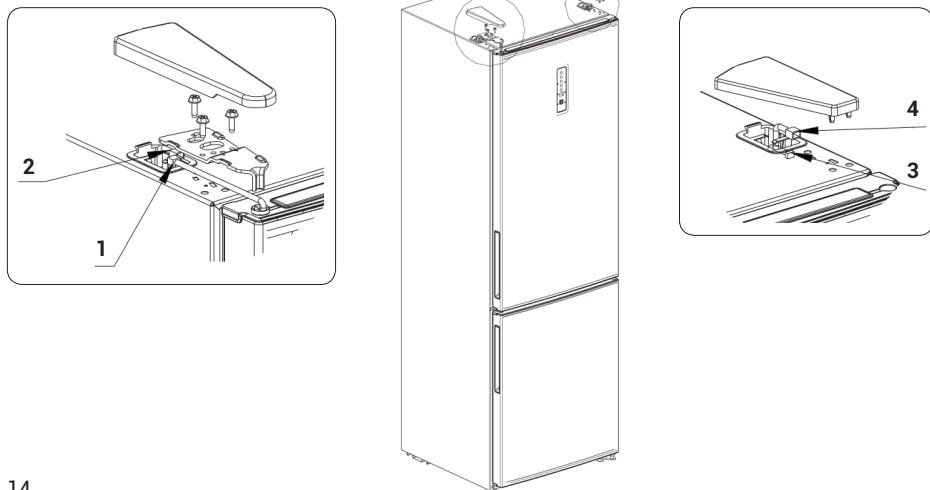


ТОҢАЗЫТҚЫШ КАМЕРАСЫ ЕСІГІН ҚАЙТА ОРНАТУ

Тоңазытқыш есігінің корпусын ортаңғы топсаға қойыңыз. Содан кейін жоғарғы топсаны шкафтың екінші жағына қойыңыз.

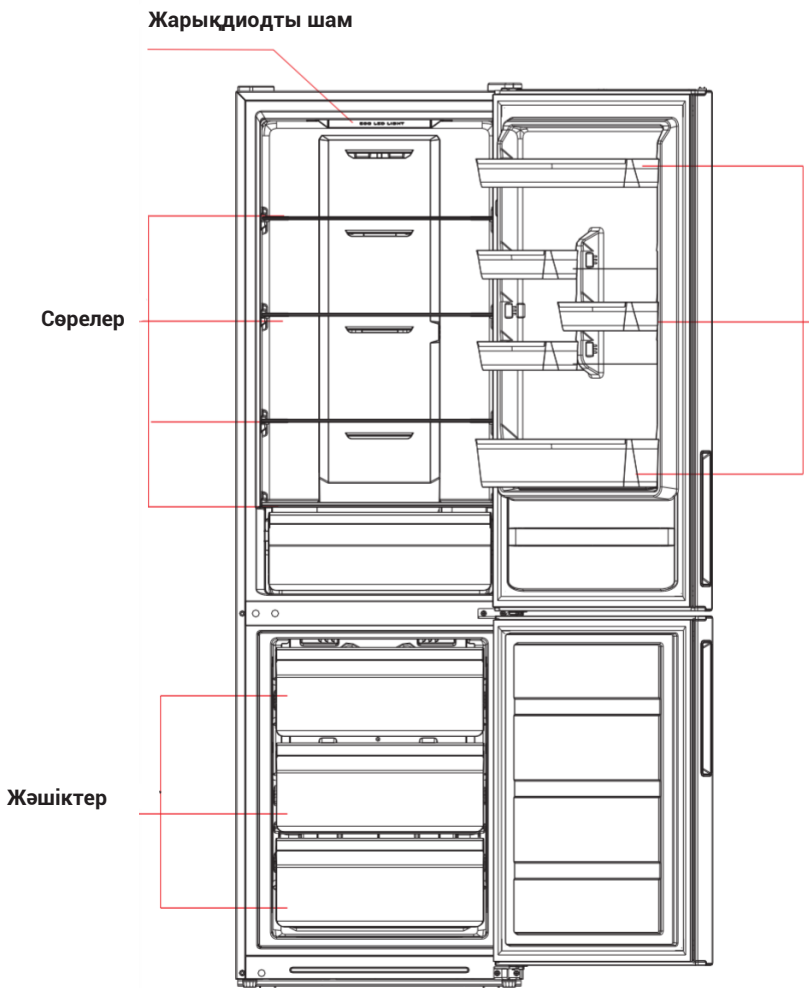
Соңында, жоғарғы топсаның бүйіріндегі 1, 2 сигналдық сым қосқыштарын, ал екінші жағынан 3, 4 қосқыштарды қосыңыз.

Жоғарыда аталған әрекеттерді орындағаннан кейін топсаның қақпағы мен тесік қақпақтарын жабыңыз.



ҚҰРЫЛЫМЫ МЕН ФУНКЦИЯЛАРЫ

ЖИЫНТЫҚ ҚҰРАМЫ



ЕСКЕРТУ

Жоғарыдағы сурет тек анықтама үшін арналған. Нақты конфигурация өнімнің өзіне байланысты болады.

ТОҢАЗЫТҚЫШ КАМЕРАСЫ

Тоңазытқыш камерасы жемістерді, көкөністерді, сусындарды және басқа тамақ өнімдерін қысқа мерзімге сақтауға арналған. Ұсынылатын сақтау уақыты 3-тен 5 күнге дейін. Пісірілген тағамды тоңазытқышқа салмас бұрын оны бөлме температурасына дейін суытыңыз.

Тағамдарды тоңазытқышқа салмас бұрын, оларды орауға кеңес береміз.

Сақтау орнын ұлғайту үшін шыны сөрелердің биіктігін реттеуге немесе оларды алып тастауға болады.

МҰЗДАТҚЫШ КАМЕРАСЫ

Температураның төмен болуына байланысты мұздатқыштағы тағам ұзақ уақыт бойы жаңа болып қалады. Тоңазытқыштың бұл бөлігі негізінен мұздатылған тағамдарды сақтауға және мұз жасауға арналған.

Мұздатқыш, қысқа уақыт ішінде тұтынылмайтын ет, балық, күріш шарлары және басқа тағамдарды сақтауға жарамды.

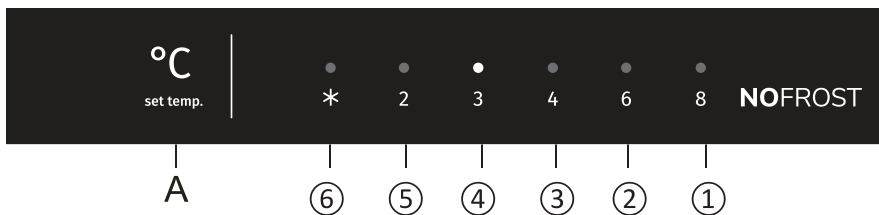
Ыңғайлы болу үшін етті ұсақ бөліктерге бөлген жөн. Өнімдердің жарамдылық мерзіміне назар аударыңыз.

Қуат көзіне алғашқы қосылғаннан кейін, көп тағам мөлшерін сақтау, тоңазытқыштың мұздатуына кері әсер етуі мүмкін. Тағамдар ауа шығатын жерді бөгемеуі керек: әйтпесе мұздату процесі нашарлауы мүмкін.

НАЗАР АУДАРЫҢЫЗ!

Жоғарыдағы суреттегі орындарға сәйкес орналастырылған жәшіктер, тамақ контейнерлері, сөрелер, энергияны үнемдеу үшін ең тиімді.

БАСҚАРУ ПАНЕЛІ





ТҮЙМЕ

A: Тоңазытқыш камерасындағы температураны орнатуға арналған түйме.

ДИСПЛЕЙ ЭКРАНЫ

- ① баптау
- ② баптау
- ③ баптау
- ④ баптау
- ⑤ баптау
- ⑥ баптау

ДИСПЛЕЙ

Тоңазытқыш қосылған кезде дисплей экраны (батырма жарығы қоса) 3 секунд ішінде толық жанып тұрады, содан кейін тоңазытқыш ③ температура режиміне сәйкес жұмыс істейді.

Қалыпты жұмыс режимі анықтағышы

Егер қате пайда болса, сәйкес жарық диодты индикатор біріктірілген қате кодын көрсетеді (рециркуляция дисплейінде). Егер қате болмаса, дисплейде орнатылған температура режимі көрсетіледі.

ТЕМПЕРАТУРАНЫ БАПТАУ

Температура баптау түймесін басқан сайын өзгереді. 15 секундтан кейін тоңазытқыш жаңа баптау бойынша жұмыс істейді.

ҚОЛМЕН АУА ӨТКІЗГІШІН РЕТТЕУ

Ауа клапанының тетігін жоғары бұраңыз, мұздатқыштың нақты температурасы төмендейді. Ауа клапанының реттегішін төмен түрде бұраңыз, мұздатқыштағы температура көтеріледі.

①→②→③→④→⑤→⑥→①

FREEZER-TEMP

COLDEST
|
COLDER
|
COLD



ЕСКЕРТУ

Жоғарыдағы сурет тек анықтама үшін арналған. Нақты конфигурация өнімнің өзіне байланысты болады.

ҚЫЗМЕТ КӨРСЕТУ ЖӘНЕ КҮТІМ

ЖАЛПЫ ТАЗАЛАУ

Тиісті желдетуді және электр энергиясын үнемдеуді қамтамасыз ету үшін тоңазытқыштан және одан тыс шаңды уақтылы сүртіңіз.

Есіктің тығыздағышын ластануға үнемі тексеріңіз. Есіктің тығыздағышын сабынды сумен сіңдірілген немесе сұйылтылған жуу құралымен жұмсақ шүберекпен тазалау қажет.

Жағымсыз иістің пайда болуын болдырмау үшін тоңазытқышты ішінен үнемі жуу қажет.

Тоңазытқышты іштен жуу алдында қуат көзінен өшіріңіз, барлық тамақ өнімдерін, сусындарды, сөрелерді, жәшіктерді және т. б. алып тастаңыз.

Тоңазытқышты іштен жуу үшін екі ас қасық ас сода және төрттен бір ас қасық жылы сумен жұмсақ шүберекті немесе губканы пайдаланыңыз. Содан кейін сумен жуып, құрғатыңыз. Жуғаннан кейін есікті ашып, тоңазытқышты қуатқа қоспас бұрын құрғатыңыз.

Қол жетпейтін жерлерді (мысалы, саңылаулар немесе бұрыштарды) үнемі жұмсақ шүберекпен, жұмсақ шеткамен және т. б. сүрту ұсынылады. Қажет болған жағдайда, ластануды тазарту және осы жерлерде бактериялардың жиналуын болдырмау үшін қосымша құралдарды (мысалы, жұқа таяқшалар) пайдаланыңыз.

Сабын, жуғыш зат, скраб-ұнтақ, спрей-тазартқыш және т. б. пайдаланбаңыз, өйткені олар тоңазытқыштың ішінде жағымсыз иістерді тудыруы немесе тамақты ластауы мүмкін.

Бөтелкелерге арналған тіреуішті, сөрелер мен жәшіктерді сабынды сумен суланған немесе сұйылтылған жұмсақ матамен тазалаңыз. Содан кейін, жұмсақ матамен немесе табиғи жолмен кептіріңіз.

Тоңазытқыштың сыртқы бетін сабынды сумен, жуу немесе жуу затымен суланған жұмсақ шүберекпен сүртіңіз, содан кейін құрғатыңыз.

Тоңазытқыштың бетін және оның ішкі элементтерін зақымдауы мүмкін қатты шеткаларды, болат шеткаларды, сым шеткаларын, абразивті материалдарды (мысалы, тіс пасталарын), органикалық еріткіштерді (мысалы, спирт, ацетон, амилацетат және т. б.), қайнаған суды, қышқыл немесе сілтілі заттарды пайдаланбаңыз. Қайнаған су және органикалық еріткіштер, мысалы, бензол пластмасса бөлшектерін деформациялауы немесе зақымдауы мүмкін.

Тазалау кезінде тоңазытқышты қысқа тұйықталудан сақтау үшін немесе батырылғаннан кейін электр оқшаулағышына әсер етпеу үшін сумен немесе басқа сұйықтықтармен шаймаңыз.

МҮЗДАН ЕРІТУ

Тоңазытқыш ауаны салқындату жүйесінің принципі бойынша жасалған, соның арқасында автоматты түрде еріту функциясы бар. Маусымның немесе температураның өзгеруінен пайда болатын аязды, құрылғыны электр желісінен ажырату немесе құрғақ сүлгімен сұрту арқылы алып тастауға болады.

УАҚЫТША ПАЙДАЛАНБАУ

Қуаттың ажыратылуы

Электр қуатымен іркіліс болған жағдайда, тоңазытқыштың ішіндегі өнімдер бірнеше сағат бойы, тіпті жазда да сақталуы мүмкін. Мәжбүрлі өшіру кезінде тоңазытқыш есігінің ашылуының санын қысқарту, сондай-ақ құралды жаңа өнімдермен жүктемеу керек.

Аспапты ұзақ уақыт пайдаланбағанда

Аспапты пайдаланбағанда желіден ажыратылып, содан кейін жуылуы керек. Есіктерді жағымсыз иістің пайда болуын болдырмау үшін ашық қалдыру керек.

Тасымалдау

Тоңазытқышты тасымалдау алдында аспаптың ішіндегісін толығымен шығарып алыңыз, шыны сөрелерді, көкөністерге арналған жәшіктерді, мұздатқыш камераның жылжымалы жәшіктерін және басқа да бөлшектерді жабысқақ таспамен бекітіңіз және аспаптың аяқтарын тартыңыз; есіктерді жабыңыз және оларды жабысқақ таспамен жауып тастаңыз. Тасымалдау кезінде аспапты аяқпен жоғары немесе көлденең қоюға болмайды, сондай-ақ оны шүберекке салуға болмайды, тасымалдау кезінде еңіс 45° - тан аспауы тиіс.

Іске қосылғаннан кейін аспап үздіксіз жұмыс істеуі тиіс. Аспаптың жұмысын азырақ үзуге тырысыңыз, әйтпесе оның қызмет ету мерзімі қысқаруы мүмкін.

НАЗАР АУДАРЫҢЫЗ!

Іске қосылғаннан кейін аспап үздіксіз жұмыс істеуі тиіс. Аспаптың жұмысын азырақ тоқтатуға тырысыңыз, әйтпесе оның қызмет ету мерзімі қысқаруы мүмкін.

АҚАУЛЫҚ СЕБЕБІН ТҮЗЕТУ

АҚАУЛЫҚ КЕСТЕСІ

Төмендегі кестеде өзіңіз жоюға болатын қарапайым ақаулардың тізімі көрсетілген. Егер ақаулықты жою мүмкін болмаса, кепілдік қызметі мамандарына хабарласыңыз.

АҚАУЛЫҚ	ШЕШІМ
Тоңазытқыш жұмыс істемейді.	Тоңазытқыштың ашасы электр қуатына қосылғанын тексеріңіз. Төмен кернеу. Қуат көзінің бұзылуы немесе тізбектің үзілуі.
Иіс.	Қатты иісі бар өнімдерді тығыз қаптап сақтаған жөн. Бүлінген өнімдердің бар-жоғын тексеріңіз. Тоңазытқышты жуу қажет болуы мүмкін.
Компрессордың ұзақ жұмысы.	Компрессордың жазғы уақытта ұзақ жұмыс істеуі, қоршаған ортаның температурасы жоғары кезінде қалыпты құбылыс болып табылады. Тоңазытқышқа бір уақытта тым көп азық-түлік қоймаңыз. Ыстық тағамды тоңазытқышқа қоймаңыз. Оны суытыңыз. Бұл тоңазытқыштың есіктерін жиі ашқанда мүмкін болады.
Тоңазытқыштағы жарық жанбайды.	Тоңазытқыштың қуат көзіне қосылғанын тексеріңіз. Шамның зақымдалмағандығын тексеріңіз.
Тоңазытқыштың есіктері тығыз жабылмайды.	Азық-түліктер тым көп. Тоңазытқыш көлбеуленген. Есік тамақ орамымен бітелген.
Қатты шу.	Тоңазытқыштың деңгейі бойынша реттелгенін, ол тұрақты тұрғанын тексеріңіз. Тоңазытқыш бөлшектерінің сенімді бекітілгендігін тексеріңіз.
Есік тығыздағышы нығыз емес	Есік тығыздағышынан барлық қоқыстарды алып тастаңыз. Есіктің тығыздағышын қыздырыңыз, содан кейін оны салқындатыңыз (оны фенмен қыздырыңыз немесе ыстық сүлгіні пайдаланыңыз)

АҚАУЛЫҚ	ШЕШІМ
Су тоңазытқыштың ішінде жиналады.	Камерада тым көп азық-түлік немесе тағам құрамында тым көп ылғал бар, бұл құралдың ерітілуіне әкеледі. Есіктер жеткілікті түрде тығыз жабылмаған, сол себепті тоңазытқыштағы мұз еріп кетеді де, тоңазытқыштағы су мөлшері артады.
Корпустағы қызуы.	Егер корпус жоғары қоршаған температурадан және тоңазытқыштың өнімдермен толып кетуінен қыздырылса, салқындату процесін жеңілдету үшін қосымша желдетуді қамтамасыз ету ұсынылады.
Корпустағы конденсация.	Сыртқы бетіндегі және тоңазытқыш есігінің тығыздағышындағы конденсация – қоршаған ауаның ылғалдылығы тым жоғары болса, қалыпты құбылыс. Конденсатты таза сүлгімен сүртіңіз.
Бөтен шулар.	Гүілдеу: компрессор жұмыс уақытында гүілдеуі мүмкін және шу әсіресе жұмыстың басында және соңында қатты болуы мүмкін. Бұл қалыпты құбылыс. Шыртылдау: хладагент, аспаптың ішінде құйылған кезінде, шыртылдауы мүмкін, бұл қалыпты болып табылады.

ҚАТЕЛІКТЕР КОДЫ

Дисплейдегі келесі ескертулер тоңазытқышта ақау бар екенін көрсетеді. Тоңазытқышта салқындату және мұздату функциялары болуы мүмкін болса да, пайдаланушылар тоңазытқыштың қауіпсіз жұмыс жасауын қамтамасыз ету үшін сервистік техникалық қызмет көрсету мердігеріне хабарласуы керек.

ҚАТЕЛІК КОДЫ	ҚАТЕЛІК СИПАТТАМАСЫ
① LED және ② LED жанады.	Тоңазытқыштың температура бергіші тізбегінің істен шығуы.
① LED және ③ LED жанады.	Мұздатқыштың жібіту бергіші ақаулығы.
① LED және ④ LED жанады.	Қоршаған ортаның температура бергішінің ақаулығы.

ҚОСЫМША АҚПАРАТ

Бұл тоңазытқыш зауыт тақтайшасында көрсетілген температура класына сәйкес келетін қоршаған орта температурасында жұмыс істеуге арналған.

Тоңазытқыштың ішкі температурасына оның орналасуы, қоршаған ортаның температурасы және есікті ашу жиілігі сияқты факторлар әсер етуі мүмкін.

Осы факторлардың орнын толтыру үшін қажет температураны орнатыңыз.

Климаттық белдеулер

БЕЛДЕУ	СИМВОЛ	ТЕМПЕРАТУРАЛАР ДИАПАЗОНЫ
Кеңейтілген қоңыржай	SN	+10 ~ +32
Қоңыржай	N	+16 ~ +32
Субтропикалық	ST	+16 ~ +38
Тропикалық	T	+16 ~ +43

Кеңейтілген қоңыржай: құрылғы, 10~32 °C дейін қоршаған орта температурасында қолдануға арналған.

Қоңыржай: құрылғы, 16~32 °C дейін қоршаған орта температурасында қолдануға арналған.

Субтропикалық: құрылғы, 16~38 °C дейін қоршаған орта температурасында қолдануға арналған.

Тропикалық: құрылғы, 16~43 °C дейін қоршаған орта температурасында қолдануға арналған.

Құрметті тұтынушы

Егер сіздің өніміңіз жарамсыз болса және жөндеуді қажет етсе, сатудан кейінгі қызметке хабарласыңыз.

Осы кестеде көрсетілген құрамдас бөлшектерді қызмет көрсету орталығында сатып алуға болады.

ҚҰРАМДАС БӨЛШЕКТЕР	САТЫП АЛУ ОРНЫ	МИНИМАЛДЫ ҰСЫНУ УАҚЫТЫ
Термореттегіш	Білікті техникалық қызмет көрсету персоналы.	Соңғы модель нарыққа шыққаннан кейін кем дегенде 7 жыл.
Температура бергіші	Білікті техникалық қызмет көрсету персоналы.	Соңғы модель нарыққа шыққаннан кейін кем дегенде 7 жыл.
Баспа платалары	Білікті техникалық қызмет көрсету персоналы.	Соңғы модель нарыққа шыққаннан кейін кем дегенде 7 жыл.
Шам	Білікті техникалық қызмет көрсету персоналы.	Соңғы модель нарыққа шыққаннан кейін кем дегенде 7 жыл.
Есік тұтқасы	Кәсіби жөндеушілер және соңғы пайдаланушылар.	Соңғы модель нарыққа шыққаннан кейін кем дегенде 7 жыл.
Сөрелер	Кәсіби жөндеушілер және соңғы пайдаланушылар.	Соңғы модель нарыққа шыққаннан кейін кем дегенде 7 жыл.
Жәшіктер	Кәсіби жөндеушілер және соңғы пайдаланушылар.	Соңғы модель нарыққа шыққаннан кейін кем дегенде 7 жыл.
Есік тығыздағыштары	Кәсіби жөндеушілер және соңғы пайдаланушылар.	Соңғы модель нарыққа шыққаннан кейін кем дегенде 7 жыл.

ДҰРЫС КӘДЕГЕ ЖАРАТУ



Өнімдегі немесе орамдағы бұл таңба, өнімнің қарапайым тұрмыстық қалдықтар қатарына жатпайтынын және істен шыққаннан кейін, электрлік немесе электрондық жабдықты қайта өңдеуге арналған тиісті жинау орнына өткізу керектігін көрсетеді. Ескі құрылғыларды жинау және қайта өңдеу біздің табиғи ресурстарды сақтауға маңызды үлес қосады және экологиялық таза және зиянсыз қоқысқа шығаруды қамтамасыз етеді.



Өнім Кеден одағының тиісті техникалық регламенттерінің талаптарына сәйкес сертифицирталған.

CONTINENT MANUFACTURING SOLUTIONS

Address: Office 66, b 4/2, SH-2 St., SEZ
"Alabuga" area, Yelabuga municipal district,
the municipality of "Yelabuga town",
the Republic of Tatarstan, Russia, 423601

ҚАЗАҚСТАНДАҒЫ ИМПОРТЕР

ЖШС «Technoman» ҚР,
қ. Алматы, к. Бурундайская, 93 а.
Тел.: +7 727 223 03 64
Веб-сайт: www.mideakz.com

Өнімнің сыртқы түрін, түсі мен техникалық мәліметтерін, өндіруші тұтынушыға алдын ала ескертусіз өзгерте алады.





RU

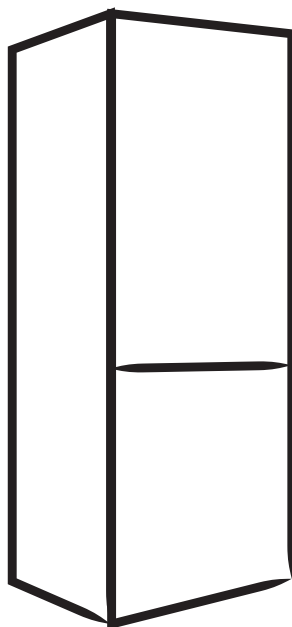
ХОЛОДИЛЬНИК- МОРОЗИЛЬНИК

РУКОВОДСТВО ПО ЭКСПЛУАТАЦИИ



Пожалуйста, перед использованием внимательно прочитайте это руководство и сохраните его для дальнейшего использования. В тексте данного Руководства Вы найдете необходимую информацию по правильной эксплуатации и обслуживанию Вашего холодильника. Соблюдение указанных мер предосторожности поможет сэкономить много Вашего времени и средств в ходе эксплуатации прибора. В разделе "Возможные неисправности и способы их устранения" Вы найдете разъяснения по вопросам эксплуатации и устранения неисправностей, которые могут избавить Вас от необходимости обращаться в службу сервиса.

Компания Midea постоянно совершенствует свои изделия и поэтому оставляет за собой право вносить изменения, не влияющие на безопасность и функционирование прибора.



Примечание: ** - код цвета, расшифровка которого приводится в настоящем Руководстве.

МОДЕЛЬ: MDRB424FGF**

www.midea.com

СОДЕРЖАНИЕ

Меры предосторожности	3
Меры предосторожности при эксплуатации прибора.....	3
Значение предупреждающих знаков.....	5
Электрическая безопасность.....	5
Предупреждения по эксплуатации.....	6
Безопасное хранение продуктов.....	6
Примечания по эксплуатации.....	7
Предупреждения по утилизации.....	7
Правильная эксплуатация прибора	8
Установка.....	8
Выравнивание прибора.....	9
Начало эксплуатации.....	10
Советы по энергосбережению.....	10
Перенавешивание двери	11
Список необходимых инструментов.....	11
Снятие верхнего дверного шарнира.....	11
Снятие двери морозильной камеры.....	12
Переустановка нижнего шарнира.....	12
Переустановка стопора дверей.....	13
Установка двери морозильной камеры.....	14
Установка двери холодильной камеры.....	14
Структура и функции	15
Внешний вид	15
Панель управления.....	16
Техническое обслуживание и уход	18
Общая чистка.....	18
Размораживание.....	19
Не эксплуатируемый прибор.....	19
Устранение неисправностей	20
Таблица неисправностей.....	20
Коды ошибок.....	21
Дополнительная информация	22
Технические характеристики	24

УВАЖАЕМЫЙ ПОКУПАТЕЛЬ!

Поздравляем вас с приобретением нового холодильника. Благодарим вас за то что вы остановили свой выбор на нашей продукции.

Внимательно прочитайте Руководство перед использованием прибора.
Обязательно сохраните инструкцию для дальнейшего использования. Убедитесь, что другие пользователи также ознакомились с данным Руководством.

МЕРЫ ПРЕДОСТОРОЖНОСТИ

МЕРЫ ПРЕДОСТОРОЖНОСТИ ПРИ ЭКСПЛУАТАЦИИ ПРИБОРА



Предупреждение: пожароопасно / легковоспламеняющиеся вещества!

ДАННОЕ устройство предназначено для использования в бытовых и подобных применениях, таких как кухни для персонала в магазинах, офисах и других рабочих помещениях, для клиентов в гостиницах, мотелях и других жилых помещениях; и подобных заведениях непродовольственного питания.

ДАННОЕ устройство не предназначено для использования лицами, с ограниченными физическими, сенсорными или умственными способностями, а также лицами, с отсутствием опыта и знаний по безопасному использованию. За исключением случаев, когда за ними осуществляется надзор лицом, ответственным за их безопасность.

ДЕТИ должны находиться под наблюдением, чтобы они не играли с прибором. В случае повреждения шнура питания, во избежание опасности, его замену должен производить изготовитель или сервисная служба.

НЕ храните в приборе взрывчатые вещества, такие как аэрозольные баллончики с легковоспламеняющимися веществами.

ПОСЛЕ использования и перед проведением работ технического обслуживания, прибор необходимо отключить от сети питания.

ВНИМАНИЕ! Не загораживайте вентиляционные отверстия в корпусе прибора или в шкафу для встраивания.

ВНИМАНИЕ! Не используйте механические предметы или иные устройства для ускорения процесса разморозки, за исключением специально рекомендованных производителем.

ВНИМАНИЕ! Не повреждайте контур системы охлаждения.

ВНИМАНИЕ! Не используйте внутри отсека для пищевых продуктов электрические приборы, если использование таких приборов не рекомендовано производителем.

ВНИМАНИЕ! Утилизировать холодильник следует строго в соответствии с действующими в вашем регионе правилами по утилизации приборов, содержащих легковоспламеняющиеся вещества и хладагент.

ПРИ размещении прибора убедитесь, что шнур питания не зажат и не повреждён.

НЕ размещайте многоместные розетки или портативные блоки питания на задней панели прибора.

НЕ используйте электрические удлинители или адаптеры без заземления (двухпроводные, двухконтактные).

ПЕРЕД установкой аксессуаров холодильник должен быть отключен от источника электропитания.

НЕ допускается сжигание прибора для предотвращения нанесения вреда окружающей среде и любого иного ущерба.

ЕСЛИ двери оснащены замками, то ключи от них храните в недоступном для детей месте, подальше от холодильной техники, с целью предотвращения запираения детей внутрь.

ВО ИЗБЕЖАНИЕ ЗАГРЯЗНЕНИЯ ПИЩИ, ПОЖАЛУЙСТА, СОБЛЮДАЙТЕ СЛЕДУЮЩИЕ ИНСТРУКЦИИ:

Открывание дверцы в течение длительного времени может привести к значительному повышению температуры в отсеках прибора.

Регулярно очищайте поверхности, которые могут соприкоснуться с пищевыми продуктами.

Пожалуйста, убедитесь, применимы ли нижеследующие примечания (1,2,3) к вашему холодильному прибору:

Сырое мясо и рыбу храните в подходящих контейнерах в холодильнике, чтобы они не соприкасались с другими продуктами, или жидкость от них не стекала на другие продукты.

Примечание 1:

Камеры с двумя (**) звездочками подходят для хранения предварительно замороженных продуктов, для хранения и приготовления мороженого и приготовления кубиков льда.

Примечание 2:

Морозильные камеры, маркированные одной (*) , двумя (**) или тремя (***) звездочками, не подходят для замораживания свежих продуктов.

Примечание 3:

Только холодильный прибор, который имеет морозильную камеру, маркированную четырьмя (****) звёздочками подходит для замораживания продуктов.

Если холодильный прибор долгое время остается пустым, выключите его, разморозьте, очистите, высушите и оставьте дверь открытой, чтобы внутри прибора не образовалась плесень.

ДЛЯ отдельно стоящего прибора: данный холодильник не предназначен для использования в качестве встраиваемого прибора.

ЛЮБАЯ замена или техническое обслуживание светодиодных ламп должны выполняться исключительно представителем производителя или сервисной службой.

ДАННОЕ изделие содержит источник света с классом энергоэффективности (F).

ЗНАЧЕНИЕ ПРЕДУПРЕЖДАЮЩИХ ЗНАКОВ



ЗАПРЕЩАЮЩИЕ ЗНАКИ

Знак указывает на то, что такие действия не допускаются. Неисполнение указаний может привести к выходу из строя прибора или представлять угрозу пользователям.



ПРЕДПИСЫВАЮЩИЕ ЗНАКИ

Знаки содержат указания к исполнению, действия необходимо осуществлять строго в соответствии с инструкцией по эксплуатации. Неисполнение инструкций может привести к поломке прибора или представлять угрозу пользователям.

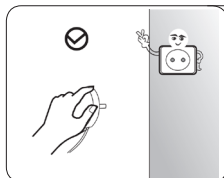


ПРИМЕЧАНИЯ

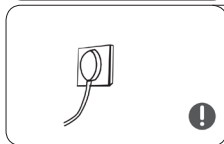
Знаки обращают внимание на необходимые действия или поведение. Указанные меры должны быть приняты во избежание незначительной или средней тяжести порчи или повреждения прибора.

Данное руководство содержит множество важных сведений по технике безопасности, которые необходимо соблюдать.

ЭЛЕКТРИЧЕСКАЯ БЕЗОПАСНОСТЬ



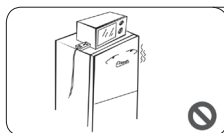
- Не тяните за электрический шнур вытаскивая штепсель из розетки. Крепко удерживайте штепсель, вытаскивая его под прямым углом из розетки.
- Ни в коем случае не повреждайте шнур. Не используйте прибор с поврежденным или изношенным шнуром.



- Пожалуйста, используйте специальную розетку, и розетка не должна использоваться совместно с другими электроприборами.
- Вилка должна туго входить в розетку – в противном случае возникает опасность пожара.
- Убедитесь, что розетка подключена к надежной линии заземления.

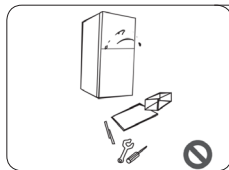


- В случае утечки бытового газа или других горючих газов, перекройте подачу газа и проветрите помещение.
- Не отключайте холодильник и другие электрические приборы, поскольку возникшая при этом искра может привести к пожару.

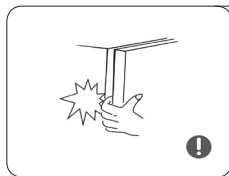


- Не размещайте электрические приборы на верхней части холодильника.
- Не используйте электрические приборы в камерах холодильника, если это не разрешено их производителем.

ПРЕДУПРЕЖДЕНИЯ ПО ЭКСПЛУАТАЦИИ



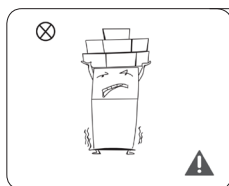
- Не разбирайте и не переделывайте самостоятельно холодильник, не повреждайте контур циркуляции хладагента.
- Обслуживание холодильника должно выполняться специалистом.
- Во избежание опасных ситуаций, поврежденный шнур питания должен быть заменен производителем или сервисной службой.



- Зазор между корпусом камерой холодильника и дверцей мал – остерегайтесь прищемить пальцы рук. Дверцу следует закрывать плавно, чтобы избежать падения хранящихся продуктов.
- Во избежание обморожения пальцев рук, не вынимайте из работающей морозильной камеры продукты и контейнеры влажными руками, особенно это касается металлических контейнеров.

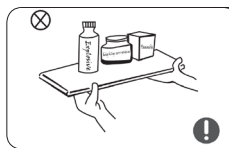


- Не позволяйте детям забираться внутрь или на холодильник. Дети могут застрять внутри или их может придавить упавшим прибором.
- Не допускайте, чтобы дети висли на дверце холодильника. В противном случае они могут получить серьезные травмы.

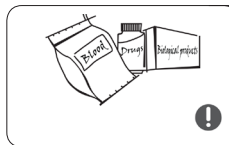


- Не размещайте тяжелые предметы поверх холодильника, поскольку они могут упасть при открытии дверцы и привести к травмам.
- Во время уборки или при перебоях с электроэнергией отключайте вилку из розетки. Не подключайте холодильник повторно в сеть в течение пяти минут, чтобы два последовательных старта не привели к поломке компрессора.

БЕЗОПАСНОЕ ХРАНЕНИЕ ПРОДУКТОВ



- Не помещайте в холодильник легковоспламеняющиеся, взрывоопасные, газированные и корродирующие материалы для предотвращения повреждений прибора и возникновения пожаров.
- Не размещайте легковоспламеняющиеся материалы вблизи холодильной камеры во избежание пожара.



- Холодильник является бытовым прибором и предназначен исключительно для хранения пищевых продуктов.
- Согласно международным стандартам, бытовые холодильные камеры не должны использоваться для других целей, например, для хранения крови, лекарственных или биологических препаратов.



Морозильная
камера

- Не храните в холодильнике бутылки и закрытые ёмкости с жидкостями, поскольку бутылированные пиво и напитки могут лопнуть или испортиться при замерзании.

ПРИМЕЧАНИЯ ПО ЭКСПЛУАТАЦИИ

Холодильный прибор может работать нестабильно (например, размораживание содержимого или слишком высокая температура в камере для замороженных продуктов), если в течение длительного периода времени он находится вне температурного диапазона, для которого он предназначен.


Шипучие напитки не следует хранить в морозильной камере или морозильниках, а также в низкотемпературных камерах или холодильниках.


Нельзя превышать время хранения пищевых продуктов, рекомендованное производителями, и особенно быстрозамороженных пищевых продуктов, как в холодильных, так и в морозильных камерах.

Необходимо предпринимать меры предосторожности для предотвращения излишнего перегрева замороженных или охлажденных продуктов, извлеченных из морозильной камеры на время разморозки – например, оберните их в несколько слоев газеты.

Повышение температуры замороженных продуктов во время ручного размораживания, технического обслуживания или очистки может сократить срок их хранения.

ПРЕДУПРЕЖДЕНИЯ ПО УТИЛИЗАЦИИ

 Хладагент и циклопентановые пеноматериалы, используемые в производстве холодильника, легко воспламеняются. Поэтому, при повреждении холодильника, он должен храниться вдали от любого источника огня. Прибор следует сдать в соответствующие специализированные службы для вторичной переработки. Устройство должно утилизироваться способом отличным от сжигания, во избежание нанесения вреда окружающей среде или любого другого вреда.

 Пожалуйста, при утилизации снимите дверцы холодильника и оставьте внутри полки, чтобы дети не могли забраться внутрь.

ВНИМАНИЕ!

Настоящее руководство содержит важную информацию о безопасном использовании, которому пользователи должны следовать.

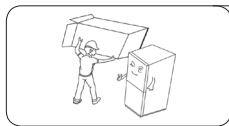


Данный символ на изделии или на упаковке, указывает, что изделие не относится к разряду обычных бытовых отходов и после вывода из строя подлежит утилизации в надлежащем центре по утилизации электрического и электронного оборудования. Для предотвращения нанесения вреда окружающей среде или здоровью человека, в результате неконтролируемой утилизации отходов, сдавайте их на переработку для рационального использования материальных ресурсов.

Для утилизации использованного устройства обратитесь в пункты раздельного сбора отходов или обратитесь в магазин, где был приобретен продукт. Они могут отправить продукт на переработку, безопасную для окружающей среды.

ПРАВИЛЬНАЯ ЭКСПЛУАТАЦИЯ ПРИБОРА

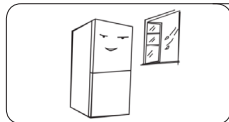
УСТАНОВКА



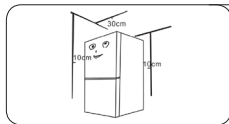
Перед началом использования холодильной камеры удалите упаковку, включая нижний поддон, пенопласт, скотч внутри камеры. Удалите защитную пленку с дверцы и корпуса устройства.



Избегайте попадания прямых солнечных лучей и воздействия источников тепла. Во избежание коррозии и нарушения электрической изоляции, не устанавливайте холодильник во влажном помещении или помещении, где он может контактировать с водой.



Холодильник должен быть установлен на ровную и твердую поверхность и располагаться в хорошо вентилируемом помещении. Если прибор стоит неустойчиво, отрегулируйте ножки для выравнивания, повернув влево или вправо.



При установке холодильника убедитесь в том, что по бокам и с задней стороны имеется 10 см свободного пространства, и 30 см от верха прибора. Это позволит холодному воздуху свободно циркулировать.

ПРИМЕЧАНИЕ

Перед установкой и регулировкой принадлежностей необходимо убедиться в том, что холодильник отключен от сети питания.

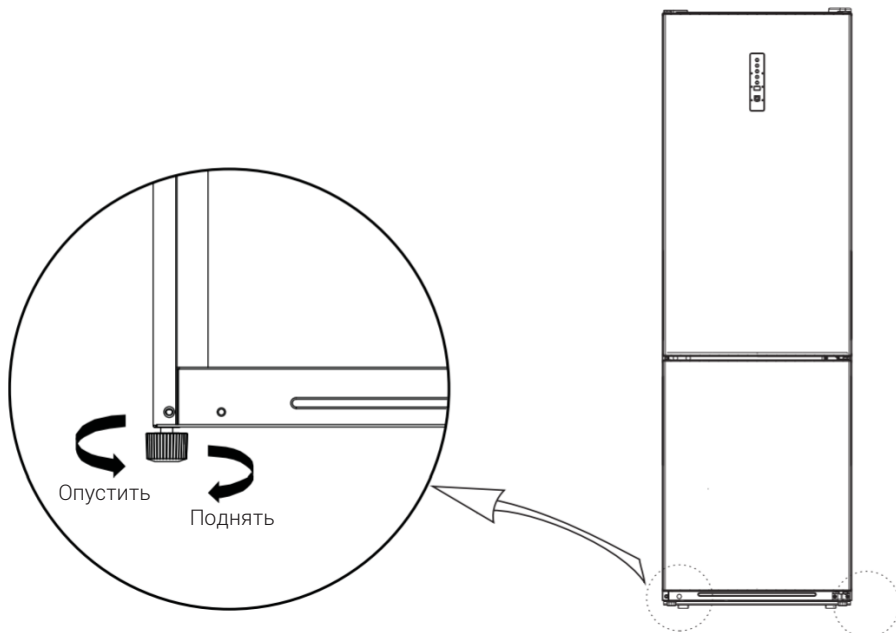
Будьте осторожны, не допускайте выпадения каких-либо принадлежностей и частей прибора, которые могут нанести травмы.

ЗАМЕНА ЛАМПЫ

Замена или техническое обслуживание светодиодных ламп должно выполняться сервисной службой или аналогичным квалифицированным специалистом.

ВЫРАВНИВАНИЕ ПРИБОРА

Регулировка ножек



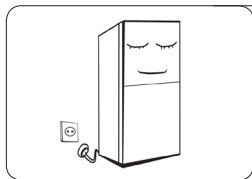
Процесс регулировки

1. Поверните ножки по часовой стрелке, чтобы поднять холодильник.
2. Поверните ножки против часовой стрелки, чтобы опустить холодильник.
3. Отрегулируйте правую и левую ножку на основе вышеописанных инструкций до горизонтального уровня.

ПРИМЕЧАНИЕ

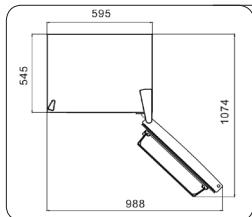
Изображение выше представлено только для справки и может иметь отличия от реального внешнего вида.

НАЧАЛО ЭКСПЛУАТАЦИИ



Перед первым подключением холодильника к источнику питания, держите его выключенным в течение двух часов.

Прежде чем заполнять холодильник любыми свежими или замороженными продуктами, дайте ему проработать в течение 2-3 часов, или 4 часов летом, когда температура окружающей среды высокая.



Сохраните достаточное свободное пространство для удобного открывания дверей и ящичков, или столько пространства, сколько заявлено производителем.

СОВЕТЫ ПО ЭНЕРГОСБЕРЕЖЕНИЮ

Прибор должен быть расположен в самой прохладной части комнаты, вдали от источников тепла или отопительных приборов, и вдали от попадания прямых солнечных лучей.

Перед помещением в холодильник горячей пищи дайте ей остыть до комнатной температуры. Перегрузка прибора заставляет компрессор работать дольше. Продукты, которые замерзают слишком медленно, могут потерять качество или испортиться.

Тщательно упаковывайте еду, а также вытирайте контейнеры насухо, перед тем как ставить их в холодильник. Это поможет уменьшить образование наледи.

Ящики для хранения продуктов не должны обертываться алюминиевой фольгой, вошеной бумагой или бумажными полотенцами, так как они мешают циркуляции холодного воздуха, что понижает эффективность работы прибора.

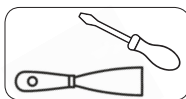
Упорядочьте и промаркируйте еду, чтобы свести к минимуму количество открывания дверей холодильника и длительность поисков. Извлекайте максимальное количество необходимых продуктов за раз, и закрывайте дверь холодильника как можно быстрее.

ПЕРЕНАВЕШИВАНИЕ ДВЕРИ

СПИСОК НЕОБХОДИМЫХ ИНСТРУМЕНТОВ



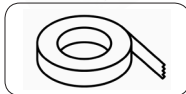
Крестовая отвертка



Шпатель и отвертка с тонким лезвием



Трешотка 8 мм

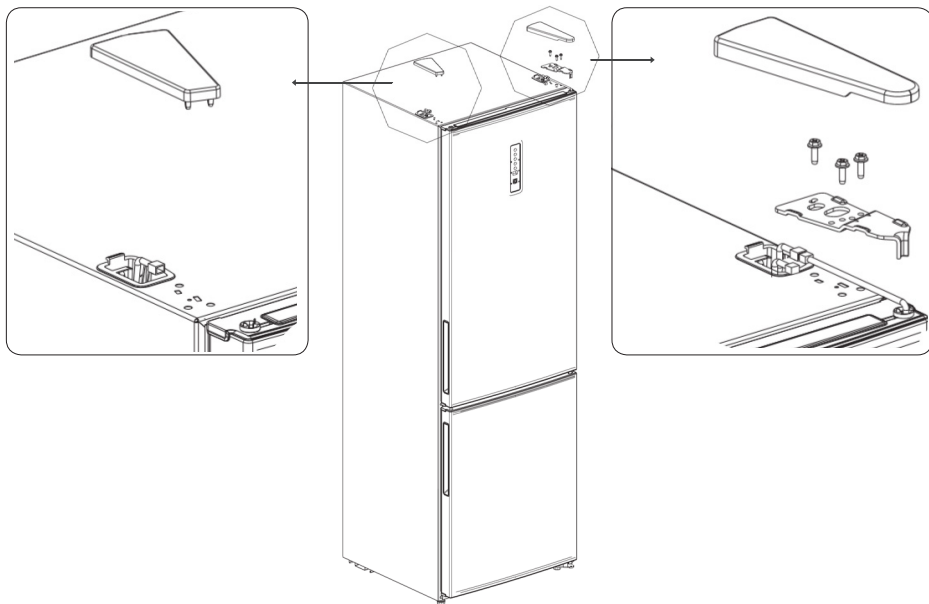


Малярный скотч

СНЯТИЕ ВЕРХНЕГО ДВЕРНОГО ШАРНИРА

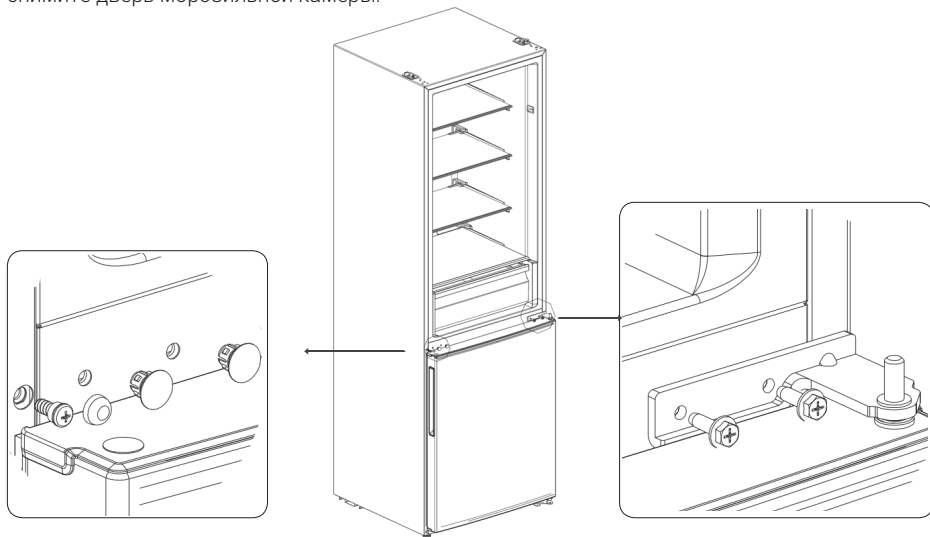
Пожалуйста, выключайте прибор перед переустановкой двери. Уберите всю еду с дверных полок.

Снимите верхнюю крышку шарнира, отсоедините сигнальные провода. Открутите винты шарнира, защитные крышки отверстий и снимите дверь.



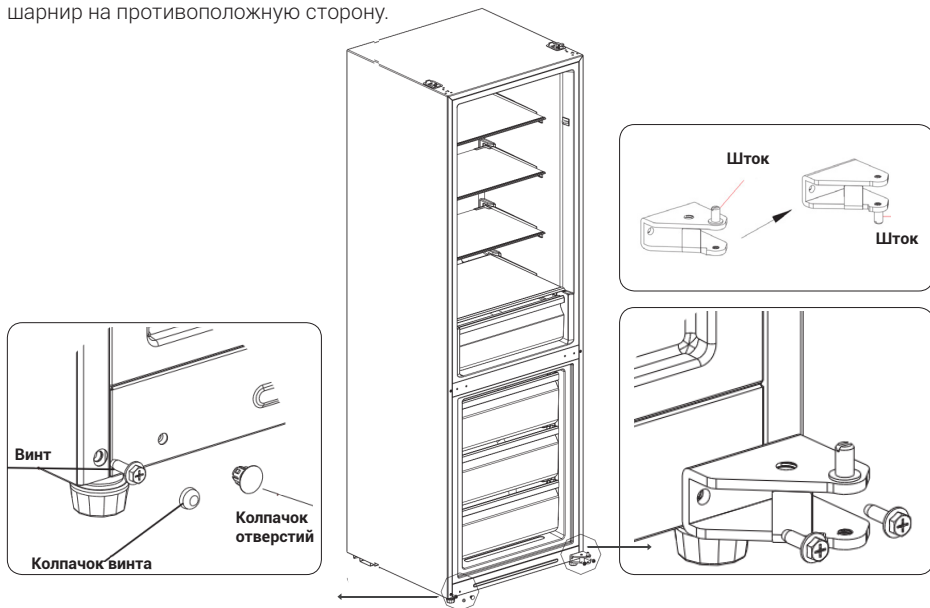
СНЯТИЕ ДВЕРИ МОРОЗИЛЬНОЙ КАМЕРЫ

Демонтируйте средний шарнир, винты, защитные крышки отверстий для винтов. Затем снимите дверь морозильной камеры.



ПЕРЕУСТАНОВКА НИЖНЕГО ШАРНИРА

Демонтируйте нижний шарнир, винты, защитные крышки отверстий для винтов. Установите нижний шток на другую сторону нижнего шарнира. И установите собранный шарнир на противоположную сторону.

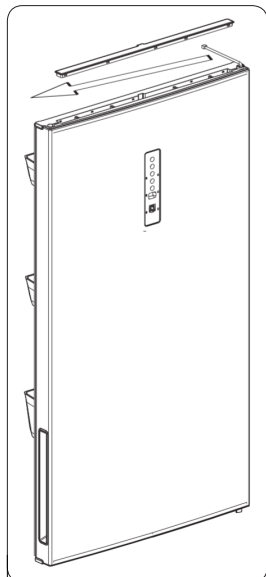


ПЕРЕУСТАНОВКА СТОПОРА С ДВЕРЕЙ

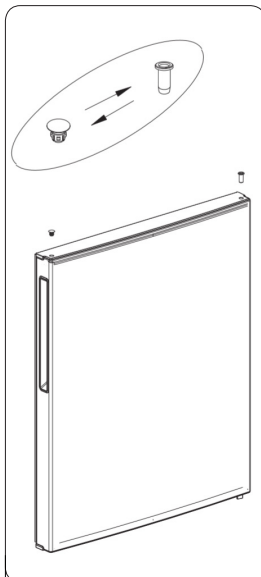
Демонтируйте винты, втулку и стопор с нижней крышки двух дверей. Затем установите их на другую сторону двери. (Стопор должен быть заменен из коробки дополнительных аксессуаров.)

Снимите верхнюю крышку холодильной камеры и поменяйте монтажный жгут и втулку на другую сторону корпуса двери.

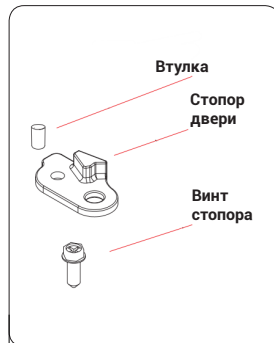
В конце, установите втулку верхнего шарнира на морозильную камеру в отверстие с другой стороны верхнего края крышки холодильной камеры.



**ДВЕРЬ ХОЛОДИЛЬНОЙ
КАМЕРЫ**



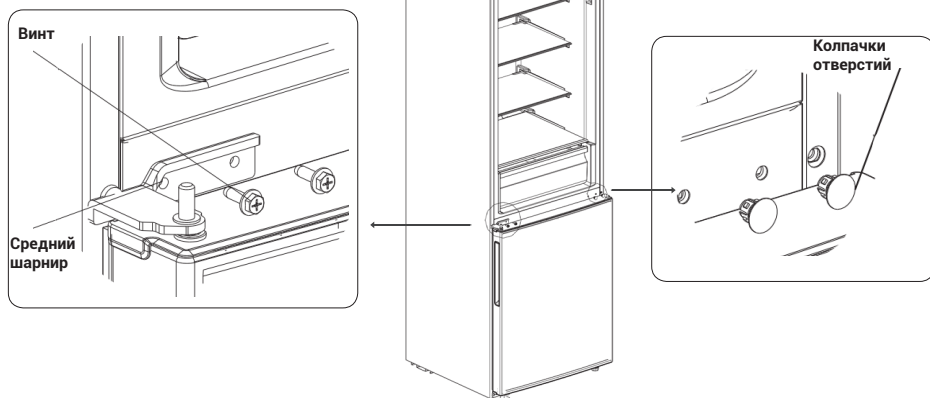
**ДВЕРЬ МОРОЗИЛЬНОЙ
КАМЕРЫ**



СТОПОР

УСТАНОВКА ДВЕРИ МОРОЗИЛЬНОЙ КАМЕРЫ

Поместите дверь морозильной камеры на нижний шарнир. Установите средний шарнир, винты и колпачки отверстий для винтов.

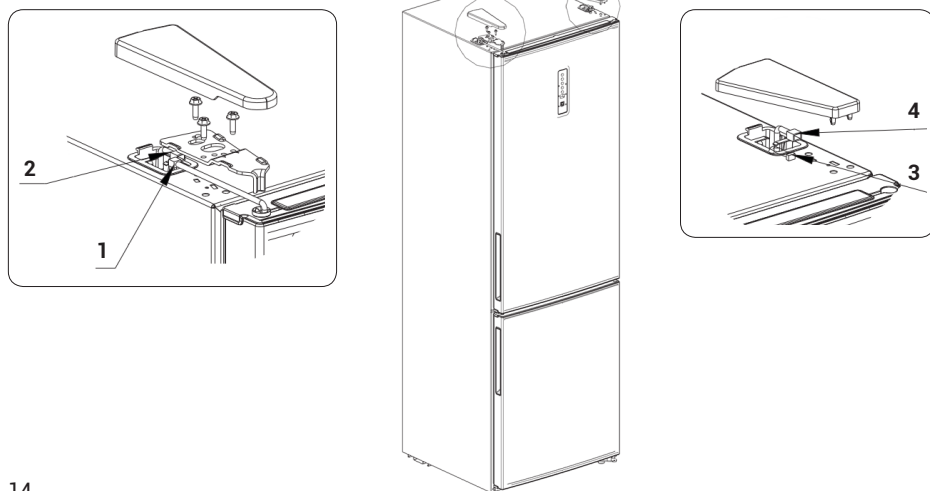


УСТАНОВКА ДВЕРИ ХОЛОДИЛЬНОЙ КАМЕРЫ

Поместите корпус двери холодильного отделения на средний шарнир. Затем установите верхний шарнир на другую сторону шкафа.

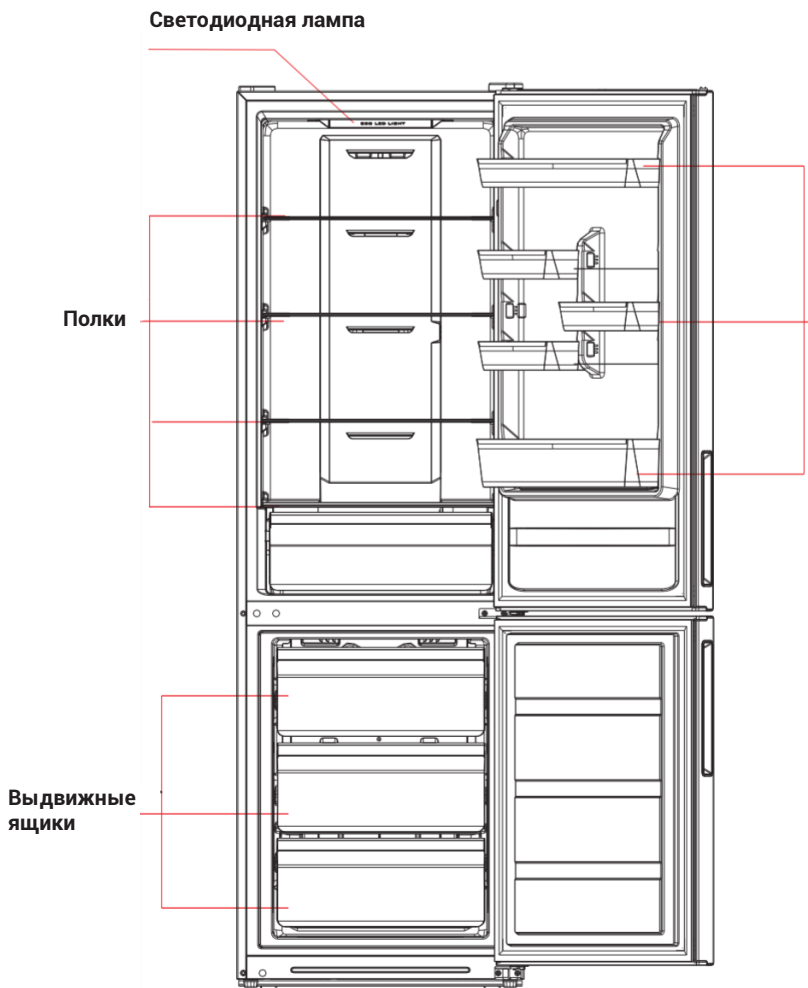
И в конце подсоедините 1, 2 разъёмы сигнальных проводов на боковой стороне верхнего шарнира, и 3, 4 разъёмы с другой стороны.

После завершения вышеописанных действий, закройте крышку шарнира и колпачки отверстий.



СТРУКТУРА И ФУНКЦИИ

ВНЕШНИЙ ВИД



ПРИМЕЧАНИЕ

Изображение выше представлено только для справки и может иметь отличия от реального внешнего вида.

ХОЛОДИЛЬНАЯ КАМЕРА

Холодильная камера предназначена для краткосрочного хранения фруктов, овощей, напитков и прочих продуктов питания. Рекомендуемое время хранения от 3 до 5 дней.

Прежде чем помещать приготовленную пищу в холодильник, дайте ей остыть до комнатной температуры.

Рекомендуется запечатывать продукты питания перед тем, как размещать их в холодильник.

МОРОЗИЛЬНАЯ КАМЕРА

Благодаря низкой температуре, в морозильной камере продукты остаются свежими долгое время. Эта часть холодильника в основном используется для хранения замороженных продуктов и приготовления льда.

Морозильная камера предназначена для хранения мяса, рыбы, полуфабрикатов и других продуктов, которые не будут употребляться в течение короткого срока.

Мясо желательно разделить на небольшие кусочки для удобства. Пожалуйста, обращайте внимание на сроки годности продуктов.

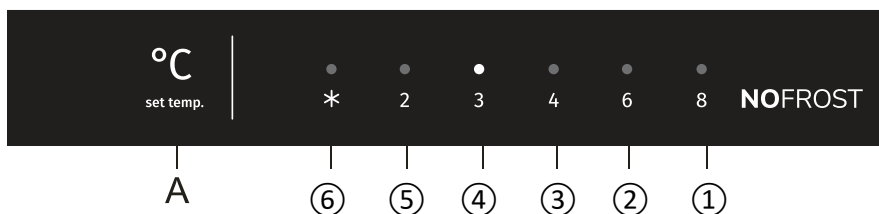
Хранение слишком большого количества продуктов во время работы, после первоначального подключения к электропитанию, может отрицательно повлиять на эффект замораживания холодильника. Хранящиеся продукты не должны блокировать выход воздуха: в противном случае процесс заморозки может ухудшиться.

ВНИМАНИЕ!

Расположение ящиков, контейнеров для продуктов питания и полок, показанное на рисунке выше, является наиболее оптимальным с точки зрения энергоэффективности.

ПАНЕЛЬ УПРАВЛЕНИЯ

ДЛЯ МОДЕЛЕЙ СО ВНУТРЕННИМ РАСПОЛОЖЕНИЕМ ПАНЕЛИ УПРАВЛЕНИЯ:



ДЛЯ МОДЕЛЕЙ СО ВНЕШНИМ РАСПОЛОЖЕНИЕМ ПАНЕЛИ УПРАВЛЕНИЯ:



КНОПКИ

A: Кнопка настройки температуры в камере холодильника.

ДИСПЛЕЙ

- ① Значение 8°C
- ② Значение 6°C
- ③ Значение 4°C
- ④ Значение 3°C
- ⑤ Значение 2°C
- ⑥ Режим суперохлаждения (постоянная работа компрессора)

НАЧАЛО РАБОТЫ

При включении холодильника дисплей (включая подсветку кнопок) будет полностью светиться в течение 3 секунд, затем холодильник начнет работать в соответствии с ③ температурным режимом.

Индикация нормального режима работы

При нормальной работе, на дисплее будет отображаться установленная настройка температуры. При возникновении ошибки на дисплее отобразится код ошибки путем комбинации нескольких индикаторов (см. ниже)

A

НАСТРОЙКА ТЕМПЕРАТУРЫ

Настройка температуры будет изменяться каждый раз при нажатии на кнопку настройки. Через 15 секунд холодильник будет работать под новой настройкой.

①→②→③→④→⑤→⑥→①

РЕГУЛИРОВКА ТЕМПЕРАТУРЫ В МОРОЗИЛЬНОЙ КАМЕРЕ

Поверните регулятор воздушного клапана вверх, фактическая температура в морозильной камере понизится. Поверните регулятор воздушного клапана вниз, фактическая температура в морозильной камере повысится.

FREEZER-TEMP



ПРИМЕЧАНИЕ

Изображение выше представлено только для справки и может иметь отличия от реального внешнего вида.

ТЕХНИЧЕСКОЕ ОБСЛУЖИВАНИЕ И УХОД

ОБЩАЯ ЧИСТКА

Своевременно вытирайте пыль с холодильника и за ним, чтобы обеспечить надлежащую вентиляцию и экономию электроэнергии.

Регулярно проверяйте дверные уплотнители на загрязнение. Уплотнители двери необходимо чистить мягкой тряпкой, пропитанной мыльной водой или разбавленным моющим средством.

Необходимо регулярно мыть холодильник изнутри, чтобы избежать образования неприятного запаха,

Пожалуйста, выключите питание перед мытьем холодильника изнутри, вытащите все продукты питания, напитки, полки, ящики, контейнеры.

Для мытья холодильника изнутри используйте мягкую тряпку или губку с двумя столовыми ложками пищевой соды и четвертью столовой ложки теплой воды. Затем смойте водой и протрите насухо. После мытья откройте дверь и дайте холодильнику просохнуть, прежде чем включить питание.

Труднодоступные места (например, зазоры или углы) рекомендуется регулярно протирать мягкой тряпкой, мягкой щеткой, губкой. При необходимости используйте вспомогательные инструменты (например, тонкие палочки), чтобы очистить загрязнения и предотвратить скопление бактерий в этих местах.

Не используйте мыло, моющее средство, скраб-порошок, спрей-очиститель, так как они могут вызвать неприятные запахи внутри холодильника или загрязнить пищу.

Очишайте подставку для бутылок, полки и ящики мягкой тканью, смоченной мыльной водой или разбавленным чистящим средством. Высушите мягкой тканью или естественным путем.

Протирайте внешнюю поверхность холодильника мягкой тканью, смоченной мыльной водой, моющим средством, а затем вытрите насухо.

Не используйте жесткие щетки, стальные щетки, проволочные щетки, абразивные материалы (например, зубные пасты), органические растворители (например, спирт, ацетон, амилацетат и т. д.), кипяток, кислые или щелочные вещества, которые могут повредить поверхность холодильника и его внутренние элементы. Кипящая вода и органические растворители, например, бензол, могут деформировать или повредить пластмассовые детали.

Во время очистки не промывайте холодильник водой или другими жидкостями, чтобы избежать короткого замыкания или не повлиять на электрическую изоляцию после обмакивания.

РАЗМОРАЖИВАНИЕ

Холодильник выполнен по принципу воздушной системы охлаждения, благодаря этому, имеет функцию автоматического размораживания. Отложения инея, образующиеся в результате смены сезона или температуры, можно также удалить вручную, путем отключения прибора от электросети или протирания сухим полотенцем.

НЕ ЭКСПЛУАТИРУЕМЫЙ ПРИБОР

Отключение питания

В случае перебоев с электричеством, продукты внутри холодильника могут храниться в течение нескольких часов, даже летом. Во время вынужденного отключения следует сократить количество открываний двери холодильника, а также не загружать прибор новыми продуктами.

При длительном неиспользовании прибора

При длительном неиспользовании прибора устройство должно быть отключено от сети и вымыто. Двери необходимо оставить открытыми для предотвращения возникновения неприятного запаха.

Перемещение

Перед транспортировкой холодильника, полностью извлеките содержимое прибора, закрепите стеклянные полки, ящик для овощей, выдвижные ящики холодильника и другие детали клейкой лентой, и затяните ножки прибора. Закройте двери и заклейте их скотчем. Во время перевозки, прибор нельзя класть вверх ногами или горизонтально, также нельзя его трясти. Наклон при перевозке не должен превышать 45°.

ВНИМАНИЕ!

После запуска прибор должен работать непрерывно. Старайтесь реже прерывать работу прибора, в противном случае срок его службы может сократиться.

УСТРАНЕНИЕ НЕИСПРАВНОСТЕЙ

ТАБЛИЦА НЕИСПРАВНОСТЕЙ

Ниже приведен перечень простых проблем, которые вы можете решить самостоятельно. Если неисправность устранить не удастся, обратитесь в сервисную службу.

НЕИСПРАВНОСТЬ	РЕШЕНИЕ
Холодильник не работает.	Проверьте, подключена ли вилка холодильника к электропитанию. Низкое напряжение. Сбой питания или разрыв цепи.
Запах.	Продукты с сильным запахом следует хранить плотно упакованными. Проверьте, нет ли испорченных продуктов. Возможно, требуется помыть холодильник.
Длительная работа компрессора.	Длительная работа компрессора в летнее время, когда температура окружающей среды выше, является нормальным явлением. Не помещайте слишком много продуктов в холодильник одновременно. Не помещайте горячую еду в холодильник. Дайте ей остыть. Компрессор может работать длительное время, при частом открывании дверей холодильника.
Свет в холодильнике не горит.	Проверьте, подключен ли холодильник к питанию. Проверьте, не повреждена ли лампочка.
Двери холодильника не закрываются плотно.	Слишком много продуктов. Холодильник наклонен. Дверь забита упаковкой продуктов.
Громкий шум.	Проверьте, отрегулирован ли холодильник по уровню, стоит ли он устойчиво. Проверьте, надежно ли закреплены детали холодильника.
Уплотнитель двери прилегает неплотно.	Уберите весь мусор с уплотнителя двери. Нагрейте уплотнитель двери, а затем охладите его (подуйте на него феном, или используйте горячее полотенце).

НЕИСПРАВНОСТЬ	РЕШЕНИЕ
Вода скапливается внутри холодильника.	Слишком много продуктов питания в камере, или еда содержит слишком большое количество влаги, что приводит к размораживанию прибора. Двери недостаточно плотно закрыты, из-за чего наледь в холодильнике тает, и количество воды в холодильнике увеличивается.
Нагревание корпуса	Если корпус нагревается из-за высокой окружающей температуры и переполненности холодильника продуктами, рекомендуется обеспечить дополнительную вентиляцию, для упрощения процесса охлаждения.
Конденсация на корпусе	Конденсация на наружной поверхности и уплотнителе двери холодильника – нормальное явление, если влажность окружающего воздуха слишком высокая. Вытрите конденсат чистым полотенцем.
Посторонние шумы	Гудение: компрессор может гудеть во время работы, и шум может быть громким, особенно в начале и по завершении работы. Это нормальное явление. Потрескивание: хладагент, переливаясь внутри прибора, может трещать, что также является нормой.

КОДЫ ОШИБОК

Следующие предупреждения на дисплее указывают на наличие сбоя в работе холодильника. Несмотря на то, что при этом холодильник может продолжать работать, пользователи должны обратиться в сервисную службу, чтобы обеспечить безопасную работу холодильника.

КОД ОШИБКИ	ОПИСАНИЕ ОШИБКИ
Горят ① LED и ② LED.	Сбой цепи датчика температуры холодильника.
Горят ① LED и ③ LED.	Сбой датчика размораживания морозильной камеры.
Горят ① LED и ④ LED.	Неисправность датчика температуры окружающей среды.

ДОПОЛНИТЕЛЬНАЯ ИНФОРМАЦИЯ

Данный холодильник предназначен для работы при температуре окружающего воздуха, соответствующей его температурному классу, указанному на заводской табличке.

На температуру внутри холодильника могут влиять такие факторы, как место расположения холодильника/морозильной камеры, температура окружающего воздуха и частота открывания дверцы. Чтобы компенсировать действие этих факторов, установите необходимую температуру.

Климатические пояса

ПОЯС	СИМВОЛ	ДИАПАЗОН ТЕМПЕРАТУР
Расширенный умеренный	SN	от +10 до +32
Умеренный	N	от +16 до +32
Субтропический	ST	от +16 до +38
Тропический	T	от +16 до +43

Расширенный умеренный: прибор предназначен для использования при температурах окружающей среды в диапазоне от 10 до 32°C.

Умеренный: прибор предназначен для использования при температурах окружающей среды в диапазоне от 16 до 32°C.

Субтропический: прибор предназначен для использования при температурах окружающей среды в диапазоне от 16 до 38°C.

Тропический: прибор предназначен для использования при температурах окружающей среды в диапазоне от 16 до 43°C.

Уважаемый покупатель,

Если ваш продукт вышел из строя, и его необходимо отремонтировать, обратитесь в сервис постпродажного обслуживания.

ТЕХНИЧЕСКИЕ ХАРАКТЕРИСТИКИ

Модель:	MDRB424FGF**O	MDRB424FGF**I
Тип панели управления:	Внешняя	Внутренняя
Общий объём, л:	310	
Полезный объем, л:	302	
Полезный объём холодильной камеры, л:	224	
Полезный объём морозильной камеры, л:	78	
Символ отделения морозильной камеры:		
Класс защиты от поражения электрическим током:	I	
Номинальное напряжение, В:	220-240~	
Номинальная частота, Гц:	50	
Номинальная сила тока, А:	0,8	
Климатический класс (1):	N/ST/T	
Хладагент и количество:	R600a, 37 г	
Замораживающая способность, кг/сутки	4	
Мощность освещения, Вт	2	
Мощность при размораживании, Вт	170	
Класс энергетической эффективности (2):	A+	
Ежегодное потребление энергии, кВт/ч (3):	292	
Способность к сохранению температуры при отключении, ч (4):	15	
Уровень шума, дБ:	40	
Размеры, мм (Ш x Г x В)	595*630*1880	
Вес нетто, кг	59,5	

1. От A+++ (максимальная эффективность) до D (самая низкая эффективность)
2. Энергопотребление "292" кВт/ч в год основывается на результатах 24-часового стандартного теста (0,8 кВт*ч/24 ч). Фактическое энергопотребление зависит от того, какой используется температурный режим, и от места расположения прибора.
3. Данное значение является приблизительным и зависит от температуры окружающей среды, загрузки холодильника и частоты открывания двери.

Срок службы прибора составляет 10 лет со дня продажи через розничную торговую сеть. В течение этого времени изготовитель обеспечивает потребителю возможность использования товара по назначению, а также выпуск и поставку запасных частей в торговые и ремонтные предприятия. В случае отсутствия штампа магазина срок службы исчисляется со дня изготовления.

Условия хранения _ по группе 1(L) по ГОСТ 15150. Приборы должны храниться в упакованном виде в сухих, проветриваемых помещениях при температуре воздуха от 5 °С до 40 °С и относительной влажности воздуха до 80 % (для 25 °С).

Гарантийные обязательства на холодильник изложены в гарантийном талоне. Ремонт у лиц, не имеющих специального разрешения, запрещен!

Код цвета	Цвет корпуса
01	Белый
02	Нержавеющая сталь
12	Светло-серый
28	Темная нержавеющая сталь
31	Серебристый
33	Бежевый мрамор
34	Матово-белый
42	Светло-серебристый

Все технические усовершенствования будут учтены в новой версии руководства по эксплуатации, которое Вы сможете найти на нашем сайте ru.midea.com. Внешний вид изделия и цвет могут быть изменены производителем без предварительного уведомления.

ПРАВИЛЬНАЯ УТИЛИЗАЦИЯ



Данный символ, изображенный на изделии или упаковке, указывает, что изделие не относится к разряду обычных бытовых отходов, а после вывода из строя подлежит утилизации в надлежном центре по утилизации электрического или электронного оборудования. Сбор и переработка старых приборов вносит важный вклад в сохранение наших природных ресурсов и обеспечивает экологически безопасную и безвредную утилизацию.



Данный продукт соответствует техническим регламентам:
ТР ТС 004/2011 "О безопасности низковольтного оборудования"
ТР ТС 020/2011 "Электромагнитная совместимость технических средств"
ТР ЕАЭС 037/2016 "Об ограничении применения опасных веществ в изделиях электротехники и радиоэлектроники"

Производитель:

ООО "Континент Производственные Решения"

Адрес: 423601, Республика Татарстан, Елабужский р-н, тер. ОЭЗ Алабуга, ул. Ш-2, строение 4/2, корпус 4, помещение 66
ИНН:1646048672 КПП:164601001 ОГРН: 1201600074994

Организация, принимающая претензии на территории РФ:

ООО "Ориент Хоусхолд Аплиансес"

Адрес: 127015, г. Москва, ул. Новодмитровская, д.2., корп.1, офис 406
Информационно-справочная служба:
8-800-777-00-88
ru.midea.com

Сделано в России

Внешний вид изделия, цвет и технические данные могут быть изменены производителем без предварительного уведомления потребителя.

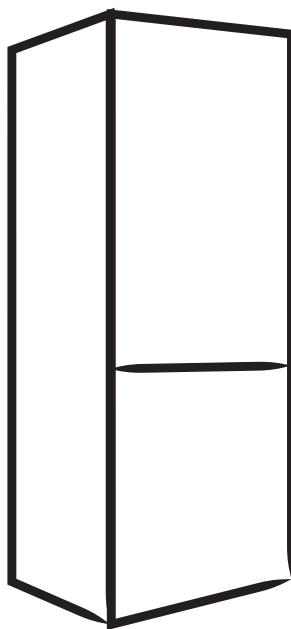

ПОЧУВСТВУЙ СЕБЯ ДОМА



UA

**ХОЛОДИЛЬНИК
з нижньою
морозильною
камерою**

**ПОСІБНИК
КОРИСТУВАЧА**



Будь ласка, уважно прочитайте
Посібник перед використанням.
Посібник зберігається під вартою
для подальшого використання

version:001

MODEL: MDRB424FGF*SERIES

www.midea.com

ЗМІСТ

ІНФОРМАЦІЯ ПРО БЕЗПЕКУ	3
ВСТАНОВЛЕННЯ ПРИЛАДУ	4
ПРЕДСТАВЛЕННЯ ПРИЛАДУ	9
БУДОВА ПРИЛАДУ	10
ЕКСПЛУАТАЦІЯ ПРИЛАДУ	11
ПОРАДИ ЩОДО ЗБЕРІГАННЯ ПРОДУКТІВ У ХОЛОДИЛЬНИКУ	13
ЧИЩЕННЯ	13
ТЕХНІЧНЕ ОБСЛУГОВУВАННЯ ТА ДОГЛЯД	14
ПОШУК І УСУНЕННЯ НЕСПРАВНОСТЕЙ	15
РЕКОМЕНДАЦІЇ ЩОДО ЕКОНОМІЇ ЕЛЕКТРОЕНЕРГІЇ	16
УТИЛІЗАЦІЯ	17

КОМПЛЕКТАЦІЯ:

- Холодильник - 1 шт.
- Інструкція з експлуатації – 1 шт.
- Полиці різного типу (кількість і тип уточнюйте у фірми-продавця)
- Гарантійний талон (доданий в інструкцію) – 1 шт.
- Мікрофіша - 1 шт.
- Енергетична етикетка - 1 шт.

Перед використанням приладу, будь ласка, уважно прочитайте цей посібник з експлуатації і збережіть його задля подальшого консультування.

Примітка: рисунки в посібнику користувача призначені лише для довідки. Фактичний продукт може дещо відрізнятись.

ІНФОРМАЦІЯ ПРО БЕЗПЕКУ

Заходи гарантування безпеки

- 1) **ПОПЕРЕДЖЕННЯ:** Не закривайте вентиляційні отвори, що розташовані на корпусі приладу або вбудовані в його конструкцію.
- 2) **ПОПЕРЕДЖЕННЯ:** Не використовуйте механічні пристрої або інші засоби для прискорення процесу розморожування, окрім тих, що рекомендовані виробником.
- 3) **ПОПЕРЕДЖЕННЯ:** Не допускайте пошкодження контуру охолодження.
- 4) **ПОПЕРЕДЖЕННЯ:** Не використовуйте електричні пристрої для прискорення процесу розморожування, крім рекомендованих виробником.
- 5) Прилад повинен бути відключений від електромережі, якщо він не буде використовуватися протягом тривалого часу і перед проведенням обслуговування користувачем.
- 6) Даним приладом можуть користуватися діти у віці 8 років і старше, а також особи з обмеженими фізичними, сенсорними або розумовими можливостями, або з нестачею досвіду або знань, якщо вони експлуатують прилад під наглядом особи, яка відповідає за їх безпеку, або виконують вказівки щодо експлуатації приладу, дотримуючись заходів безпеки, і усвідомлюють пов'язані з експлуатацією ризики виникнення небезпеки. Не дозволяйте дітям гратися з даним електроприладом. Дітям забороняється проводити чищення і обслуговування приладу без нагляду.
- 7) Якщо кабель живлення пошкоджений, він повинен бути замінений виробником, фахівцем сервісного центру або кваліфікованим електриком.
- 8) Пристрій можна експлуатувати тільки за умови відсутності в приміщенні легкозаймистих і вибухонебезпечних речовин.
- 9) Утилізація пристрою повинна виконуватися у відповідності з діючими місцевими законами і правилами щодо утилізації приладів, що містять холодоагенти і теплоізоляційні гази. Перед тим, як викинути відпрацьований холодильник, зніміть дверцята, щоб діти не змогли забратися всередину і закрити їх.

- 10) Даний прилад призначений для використання в побутових та аналогічних умовах, зокрема:
 - в кухонних зонах, в спеціальних приміщеннях в магазинах, офісах та інших приміщеннях;
 - на сільськогосподарських фермах, клієнтами в готелях, мотелях та іншій інфраструктурі житлового типу;
 - в умовах режиму міні-готелю з проживанням та сніданком (тип B&B);
 - у кафетеріях та інших нероздільних закладах.
- 11) Не зберігайте в холодильнику вибухонебезпечні речовини, такі як аерозольні балончики, що містять пропелент
- 12) Не знімайте кришку приладу, так як це небезпечно. Тільки авторизований сервісний центр може проводити технічне обслуговування та ремонт холодильника.
- 13) Щоб уникнути ураження електричним струмом, не ремонтуйте прилад самостійно

ВСТАНОВЛЕННЯ ПРИЛАДУ

Місце встановлення

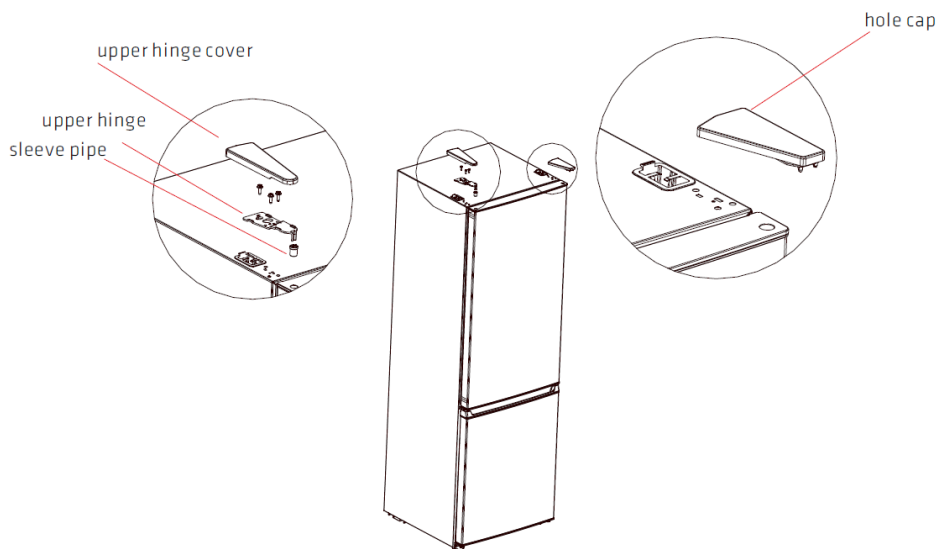
Холодильник повинен бути встановлений на тверду і рівну поверхню, приміщення повинне добре провітрюватися. Не встановлюйте прилад поблизу джерел тепла: електричних та газових плит, котлів та обігрівачів. Уникайте впливу прямого попадання сонячних променів на електроприлад, так як це може призвести до підвищення витрат електроенергії. Слід також уникати надзвичайно низької температури в приміщенні, так як це може негативно вплинути на роботу приладу. Цей пристрій не призначений для використання в гаражі або встановлення поза приміщенням. Не накривайте холодильник.

При установці холодильника забезпечте вільний простір по 10 см з обох боків приладу, 10 см від задньої панелі до стіни і 30 см над верхньою частиною холодильника. Забезпечення вільного простору дозволить холодному повітрю циркулювати навколо приладу і збільшить ефективність процесу охолодження. Двері холодильника можуть бути змонтовані праворуч або ліворуч, залежно від уподобань користувача. Слід переконатися у наявності достатнього простору для того, щоб двері відкривалися повністю.

2.3 Зміна напрямку відкривання дверцят

Необхідні інструменти			
	Хрестова викрутка		Шпатель Викрутка з тонким лезом
	Торцевий ключ із храповим механізмом і головкою 5/16"		Малярна стрічка

1. Вимкніть холодильник і заберіть усі продукти з дверних полиць і лотків.
2. Зніміть кришку з верхньої петлі, петлю та заглушку з іншого боку, а потім зніміть дверцята холодильника.



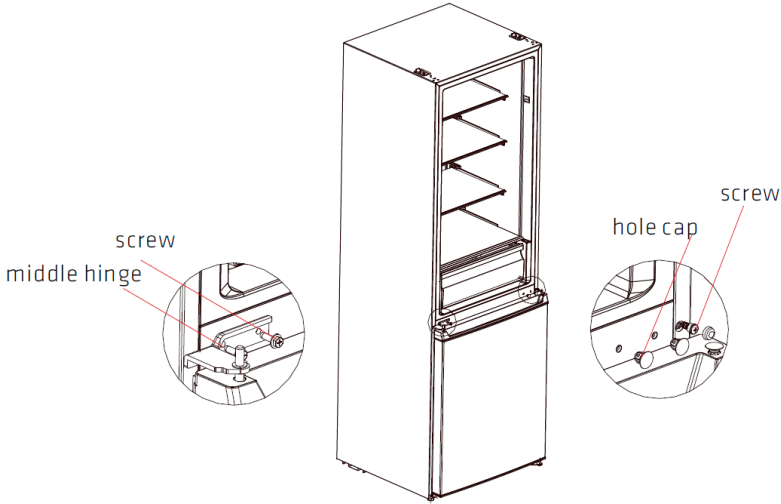
upper hinge cover – кришка верхньої петлі

upper hinge – верхня петля

sleeve pipe - втулка

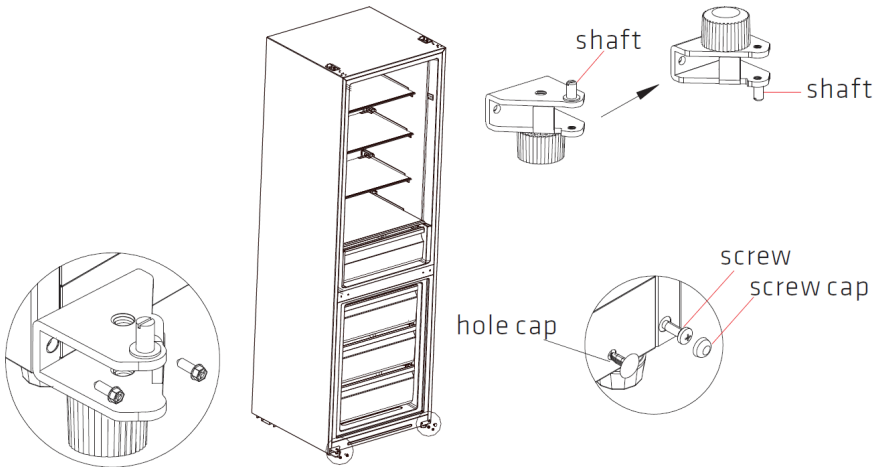
hole cap - заглушка

3. Зніміть середню петлю, відкрутіть гвинти, зніміть заглишки отворів для гвинтів, а потім - дверцята морозильної камери.



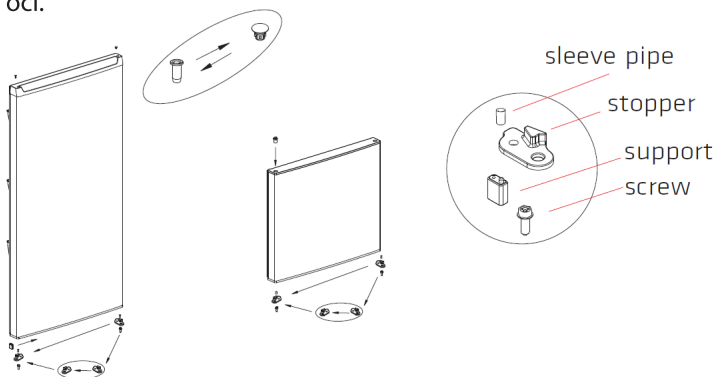
screw - гвинт; middle hinge – середня петля; hole cap – заглишка

4. Зніміть нижню петлю та заглишки отворів, відкрутіть гвинти. Установіть штифт нижньої петлі та відрегулюйте ніжку з іншого боку нижньої петлі, а потім установіть петлю з іншого боку.



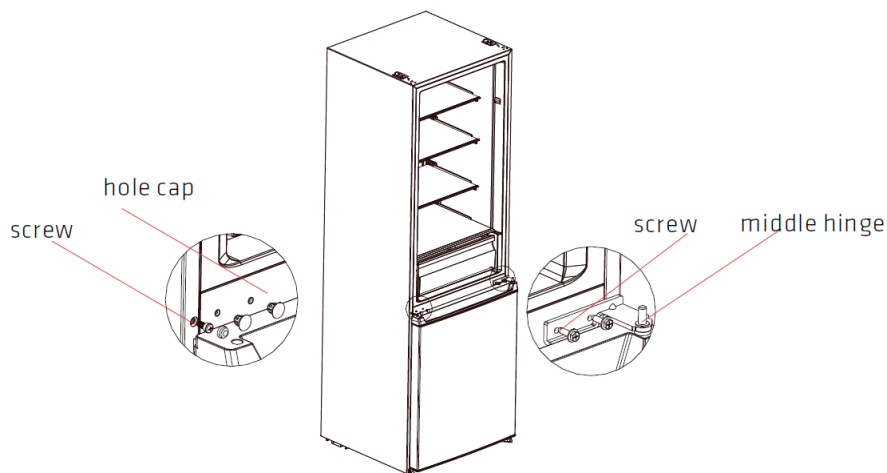
shaft – штифт; hole cap - заглишка; screw - гвинт; screw cap – шляпка гвинта

5. Відкрутіть гвинт, зніміть втулку та обмежувач із дверцят холодильника та морозильної камери, зніміть опору на нижній кришці дверцят холодильника. Потім установіть їх з іншого боку дверцят по черзі. (Дістаньте нижній обмежувач з упаковки з аксесуарами.) Змініть положення втулки й заглушки отвору на верхній кришці дверцят холодильника та встановіть втулку верхньої петлі на дверцятах морозильної камери в отвір з іншого боку втулки осі.



sleeve pipe - втулка; stopper - обмежувач; support - опора; screw – гвинт

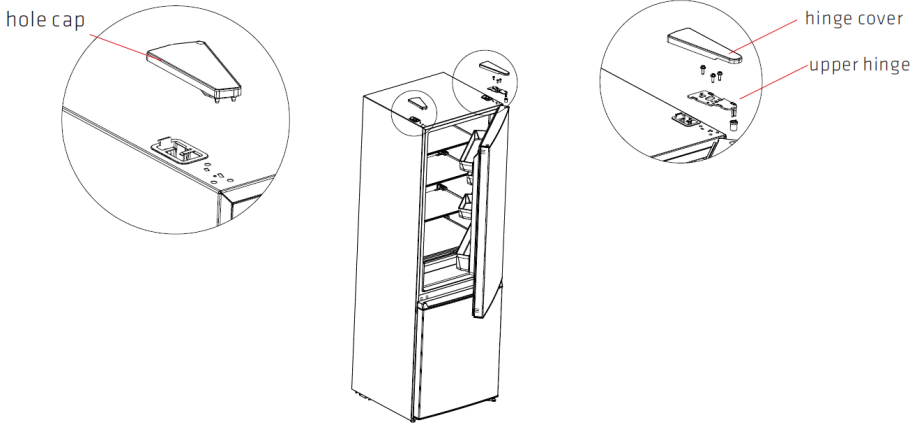
6. Поставте дверцята морозильної камери на нижню петлю, установіть середню петлю, закрутіть гвинти та установіть заглушки отворів для гвинтів.



hole cap – заглушка; screw – гвинт; middle hinge – середня петля

(Зображення наведені лише для ознайомлення. Фактична конфігурація залежатиме від реального пристрою або буде визначена виробником)

7. Поставте дверцята холодильника на середню петлю, установіть верхню петлю, кришку петлі та заглишку отвору.



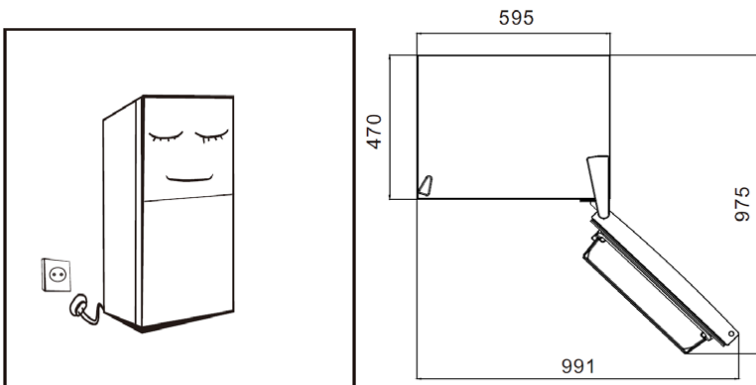
hole cap – заглишка; hinge cover – кришка петлі; upper hinge – верхня петля

2.4 Заміна світлодіодних ламп

Для заміни або ремонту світлодіодних ламп зверніться до виробника або працівника авторизованого сервісного центру.

2.5 Початок експлуатації

- Під час першого запуску почекайте пів години перед підключенням холодильника до електромережі.
- Перш ніж помістити в холодильник будь-які свіжі або заморожені продукти, пристрій повинен пропрацювати протягом 2–3 годин або протягом 4 годин влітку, коли температура навколишнього середовища досить висока.



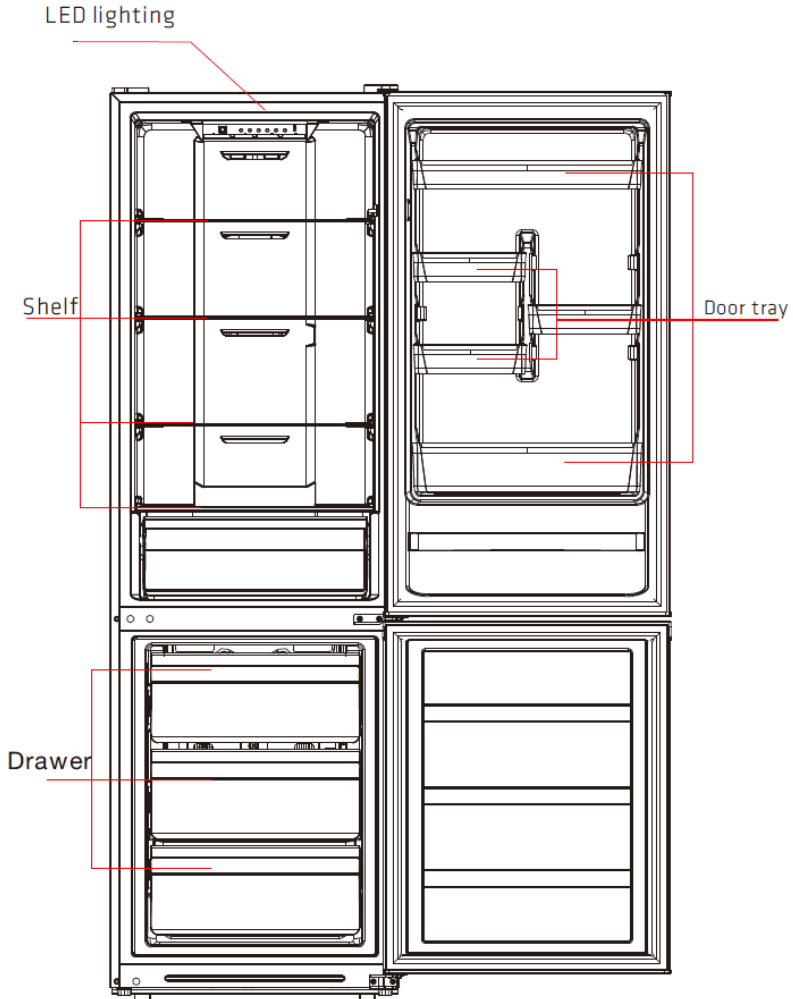
- Навколо холодильника / морозильної камери має бути достатньо вільного місця для забезпечення належної вентиляції та зручного відкривання дверей і висувних ящиків.

2.6 Рекомендації щодо енергозбереження

- Пристрій повинен розташовуватися в найпрохолоднішій частині приміщення, подалі від джерел тепла (опалювальних пристроїв, плит) і прямих сонячних променів.
- Не поміщайте гарячі/теплі напої або їжу в холодильник, дайте їм спочатку охолонути до кімнатної температури.
- Перевантаження холодильника продуктами змушує компресор працювати на повну потужність, що призводить до збільшення енергоспоживання. Продукти, які замерзають занадто повільно, можуть втратити смакові якості або зіпсуватися.
- Ретельно упакуйте продукти, а також витирайте насухо посуд і контейнери, перш ніж поміщати їх у холодильник. Це допомагає зменшити намерзання всередині пристрою.
- Не кладіть у ящики для зберігання продуктів алюмінієву фольгу, вощений папір або паперові рушники. Вони перешкоджають циркуляції холодного повітря, знижуючи ефективність роботи пристрою.
- Впорядкуйте та промаркуйте продукти, щоб не відкривати дверцята занадто часто та скоротити час пошуку необхідних продуктів. Дістаньте максимальну кількість необхідних продуктів за раз і закрийте дверцята холодильника якомога швидше.

3 БУДОВА ТА ФУНКЦІЇ

3.1 Основні компоненти



Led lighting - Світлодіодне підсвічування

Shelf - Полиця

Door tray - Лоток

Drawer – Висувний ящик

(Зображення наведені лише для ознайомлення. Фактична конфігурація залежатиме від реального пристрою або буде визначена виробником)

Холодильна камера

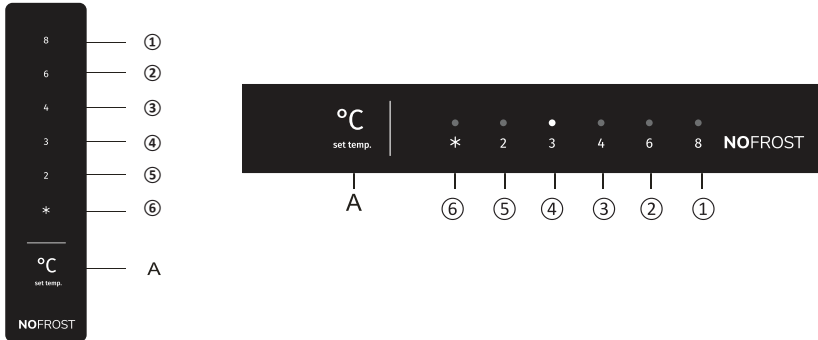
- Холодильна камера підходить для зберігання фруктів, овочів, напоїв та інших продуктів із коротким терміном споживання.
- Не поміщайте гарячі/теплі напої або їжу в холодильник, дайте їм спочатку охолонути до кімнатної температури.
- Продукти, що зберігаються в холодильній камері, повинні бути відповідним чином упаковані або перебувати в закритих ємностях.
- Скляні полиці можна регулювати по висоті для зручного зберігання продуктів.

Морозильна камера

- Завдяки низькій температурі в морозильній камері продукти залишаються свіжими довгий час; вона в основному використовується для зберігання заморожених продуктів і приготування льоду.
- Морозильна камера підходить для зберігання м'яса, риби та інших продуктів, які можуть зберігатися протягом тривалого часу.
- Для зручності перед заморожуванням м'ясо рекомендується розділити на порції. Дотримуйтеся термінів зберігання!

Примітка: перевантаження холодильника продуктами після першого підключення до електромережі може негативно вплинути на ефективність його роботи.

3.2 ФУНКЦІЇ



(Зображення наведені лише для ознайомлення. Фактична конфігурація залежатиме від реального пристрою або буде визначена виробником)

1. Кнопка

A. Кнопка регулювання температури

2. Екран дисплея

- ① налаштування температури 1
- ② налаштування температури 2
- ③ налаштування температури 3
- ④ налаштування температури 4
- ⑤ налаштування температури 5
- ⑥ налаштування температури 6

3. Дисплей

Під час увімкнення холодильника екран дисплея (разом з індикатором кнопки) світитиметься протягом 3 секунд, після чого холодильник працюватиме за температури 3 °C.

У разі виникнення несправності відповідний світлодіодний індикатор відобразить код несправності (на дисплеї повторного використання); за нормальної роботи світлодіодний індикатор відображатиме налаштування температури.

4. Налаштування температури

Налаштування температури змінюватиметься щоразу, коли ви натискатимете кнопку SET TEMPERATURE (УСТАНОВИТИ ТЕМПЕРАТУРУ). Після натискання кнопки холодильник працюватиме за вибраної температури через 15 секунд.

Setting1 → Setting2 → Setting3 → Setting4 → Setting5 → Setting6 → Setting1 → …

5. Регулятор ручного повітряного демпфера

Посуньте повзунок повітряного демпфера вгору, щоб підвищити температуру всередині морозильної камери, посуньте повзунок повітряного демпфера вниз, щоб знизити температуру всередині морозильної камери.

FREEZER-TEMP

COLDEST



COLDER



COLD



6. Коди несправностей

Нижче наведено попередження, що відображаються на дисплеї та вказують на відповідні несправності холодильника. Навіть якщо холодильник продовжує виконувати функції охолодження та заморожування, незважаючи на ці несправності, необхідно звернутися до авторизованого сервісного центру для технічного обслуговування.

Код несправності	Опис несправності
Світяться світлодіодні індикатори 1 і 2	Ланцюг датчика температури холодильника
Світяться світлодіодні індикатори 1 і 3	Датчик розморожування морозильної камери
Світяться світлодіодні індикатори 1 і 4	Датчик температури навколишнього середовища

Розморожування

Холодильник виготовлений за принципом повітряного охолодження і, таким чином, має функцію автоматичного розморожування. Намерзання, що утворилися через зміну пори року або температури, також можна видалити вручну, відключивши прилад від електромережі або протерши його сухим рушником.

ПОРАДИ ЩОДО ЗБЕРІГАННЯ ПРОДУКТІВ У ХОЛОДИЛЬНИКУ

- Приготоване м'ясо і рибу слід зберігати на полиці, яка розташована над сирим м'ясом/рибою, щоб уникнути передачі бактерій. Сире м'ясо / риба повинні зберігатися в контейнерах досить великої ємності з урахуванням утворення соку від даних продуктів і мати щільну кришку. Контейнери з сирим м'ясом / рибою ставте на саму нижню полицю.
- Залишайте простір навколо продуктів, щоб дозволити повітрю вільно циркулювати всередині приладу. Переконайтеся, що всі складові частини приладу зберігають холод.
- Щоб уникнути сторонніх запахів у холодильнику і висихання продуктів, упакуйте їх окремо або використовуйте контейнери з кришкою. Фруктам і овочам упаковка не потрібна.
- Щойно приготовлену їжу залишіть, щоб вона охолонула до кімнатної температури, перш ніж помістити її в холодильник. Це допоможе утримувати внутрішню температуру приладу.
- Щоб холодне повітря не виходило з холодильника, зменшіть частоту відкриття дверей холодильника. Рекомендується відкривати двері холодильника лише, коли потрібно покласти продукти або дістати їх.

ЧИЩЕННЯ

Чищення приладу перед використанням

Протріть всередині холодильника ганчіркою, змоченою в слабкому розчині соди, а потім протріть віджатою поролоновою губкою або ганчіркою, змоченою в теплій воді. Вимийте полиці і контейнери для овочів в теплій мильній воді, потім витріть їх насухо, перш ніж поставити їх на місце в холодильник. Протріть холодильник зовні вологою ганчіркою

Чищення холодильника всередині і зовні

- Дістаньте з холодильника всі полиці та контейнери для овочів. Перш ніж почистити саму нижню полицю, слід вийняти контейнери для овочів.
- Протріть всередині холодильника ганчіркою, змоченою в слабкому розчині соди, а потім протріть сухою поролоновою губкою або ганчірочкою, змоченою в теплій воді. І, нарешті, витріть стінки холодильника насухо перед встановленням на місце полиць і контейнерів для овочів.
- Протріть холодильник зовні вологою ганчіркою, а потім відполіруйте його поверхню невеликою кількістю поліролю. Переконайтеся, що двері холодильника щільно закриті, щоб уникнути попадання поліролю на магнітний ущільнювач дверей або всередину приладу.
- Решітку конденсатора на задній панелі холодильника і сусідні компоненти можна очистити пирососом, використовуючи м'яку щітку.

Рекомендації щодо чищення приладу

Зовні холодильника може з'явитися конденсат в результаті зміни температури в приміщенні. Протріть поверхню приладу. Якщо проблема буде повторюватися, зверніться до кваліфікованого фахівця.

ТЕХНІЧНЕ ОБСЛУГОВУВАННЯ ТА ДОГЛЯД

Заміна лампочок

Лампочки повинні замінюватися тільки кваліфікованим працівником.

Бережне поводження при переміщенні

При перенесенні холодильника підтримуйте його за основу і з обох сторін. Ні в якому разі не піднімайте його, тримаючи за край верхньої частини холодильника.

Сервісне обслуговування

Сервісне обслуговування повинно здійснюватися авторизованим сервісним центром і тільки з використанням оригінальних запасних частин. Забороняється ремонтувати пристрій самостійно. Проведення ремонту недосвідченою людиною може призвести до тілесних ушкоджень і серйозних несправностей приладу. Зверніться до кваліфікованого спеціаліста.

Вимкнення приладу при тривалому невикористанні

Якщо холодильник не буде використовуватися протягом тривалого періоду часу, відключіть його від мережі електроживлення, звільніть від продуктів і протріть зсередини. Залиште двері злегка відчиненими, щоб запобігти утворенню неприємних запахів.

ПОШУК І УСУНЕННЯ НЕСПРАВНОСТЕЙ

В процесі експлуатації приладу можуть виникати незначні несправності, які можуть бути усунені користувачем без звернення до сервісного центру. Нижче наведена таблиця з інформацією щодо усунення несправностей. Якщо проблема не вирішилась, зв'яжіться з фахівцями авторизованого сервісного центру.

Несправність	Причини виникнення та способи вирішення
Холодильник не працює	Перевірте, чи підключений кабель живлення приладу до розетки. Низька напруга в електромережі. Збій живлення або спрацював захист в електричній розподільчій панелі приміщення.
Неприємний запах в холодильнику	Продукти, що мають сильний запах, повинні бути щільно закриті або герметично упаковані. Можливо, зіпсувалися які-небудь продукти. Вимийте внутрішню частину холодильника
Компресор працює протягом тривалого часу	Це нормальне явище, якщо температура навколишнього середовища вища, наприклад, в спекотний літній день. Не кладіть занадто багато продуктів в морозильну камеру одночасно. Не розміщуйте гарячу їжу одразу в холодильнику. Дайте їй охолонути до кімнатної температури. Часте відкривання дверей холодильника.
Індикаторна панель не працює	Перевірте, чи підключений холодильник до мережі електроживлення. Перевірте стан індикаторної лампочки.

Двері холодильника не закриваються	У дверцята морозильної камери потрапив пакет, в який упакований продукт. Холодильник перевантажений продуктами. Нахиліть холодильник трохи назад.
Холодильник працює дуже шумно	Розподіліть продукти рівномірно по всьому об'єму холодильника. Перевірте, чи вирівняні опорні ніжки. Перевірте, чи всі частини холодильника установлені належним чином.

- Корпус холодильника може виділяти тепло під час роботи, особливо в літній період. Це нормальне явище, так як відбувається теплове випромінювання конденсатора.
- На зовнішній поверхні холодильника і на ущільнювачі дверей морозильної камери може виступати конденсат при підвищеній вологості в приміщенні. Це нормальне явище, яке не впливає на роботу пристрою. Просто протріть сухим рушником.
- Шум під час роботи холодильника: як правило, підвищений шум може спостерігатися при включенні / виключенні компресора.

Шум всередині холодильника

Пристрій може видавати дивні звуки. Більшість з них цілком нормальні, але користувач повинен про них знати!

Виникнення шуму у холодильнику обумовлено циркуляцією рідкого холодоагенту в холодильній установці. Це не є дефектом і не впливає на продуктивність пристрою. Цей шум створює працюючий електродвигун компресора під час руху холодоагенту по трубах системи.

РЕКОМЕНДАЦІЇ ЩОДО ЕКОНОМІЇ ЕЛЕКТРОЕНЕРГІЇ

Намагайтеся не відкривати двері холодильника занадто часто, особливо при підвищеній вологості і в спекотний день. Не залишайте двері відкритими довше, ніж це необхідно.

Час від часу перевіряйте, чи має прилад достатню вентиляцію (достатню циркуляцію повітря позаду приладу).

В нормальних температурних умовах встановлюйте регулятор температури у середнє положення.

Перед розміщенням гарячої їжі в холодильник, вона повинна охолонути до кімнатної температури.

Лід і шар інею збільшують витрати електроенергії, тому розморозуйте холодильник, як тільки товщина льоду складе 3-5 мм.

- Встановлюйте прилад в самому прохолодному місці приміщення, подалі від джерел тепла, таких як плити, котли чи обігрівачі та попадання прямих сонячних променів.
- Перед розміщенням щойно приготовленої їжі у холодильник, залиште її, щоб вона охолола до кімнатної температури. Перевантаження холодильника продуктами призведе до тривалої роботи компресора, як наслідок збільшення споживання електроенергії. Продукти, які замерзають дуже повільно, можуть втратити якість або зіпсуватися.
- Переконайтеся, що продукти упаковані належним чином; протріть контейнери сухою тканиною перед поміщенням їх у холодильник.
- Ємності для зберігання продуктів не можна обгортати алюмінієвою фольгою, вощеним папером або паперовим рушником, так як це буде заважати циркуляції холодного повітря, що призведе до зниження ефективності роботи пристрою.
- Розподіляйте продукти таким чином, щоб мінімізувати час пошуку та закрити двері холодильника якомога швидше.

УТИЛІЗАЦІЯ



Цей виріб позначений символом приналежності до категорії відходів електричного й електронного обладнання.

Цей виріб виготовлений з високоякісних деталей та матеріалів, які підлягають повторному використанню й переробці. Після закінчення терміну експлуатації цей виріб не можна викидати разом зі звичайними побутовими відходами. Його слід здати у відповідний пункт збору відходів електричного й електронного обладнання. Інформацію про місцезнаходження найближчого пункту збору відходів можна отримати в місцевих органах влади.

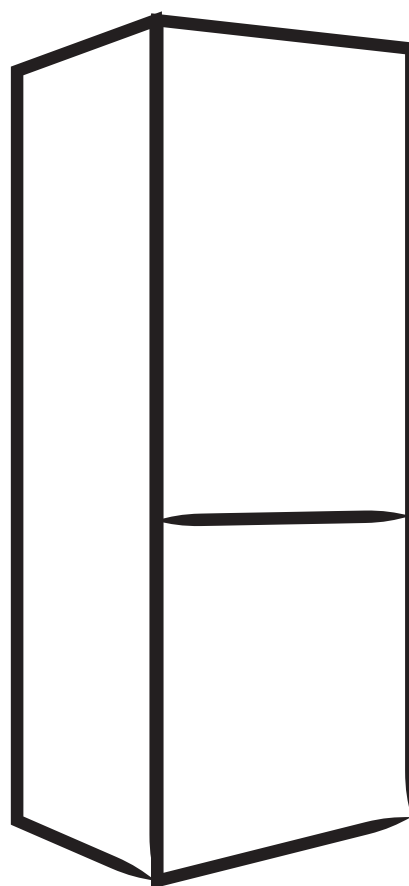


UZ

QO'LLANMA

SOVUTGICH

Bottom Freezer



Iltilmos, foydalanishdan oldin
qo'llanmani diqqat bilan o'qing.
Qo'llanmadan keyinchalik
foydalanish uchun, xavfsiz joyda
saqlanishi kerak.

version:001

MODEL: MDRB424FGF*SERIES

www.midea.com

Mundarija

1.	HAVFSIZLIK BO'YICHA OGOHLANTIRISHLAR.....	1
2.	O'RNATISH.....	2
2.1	Joylashtirish.....	2
2.2	Eshikni boshqa yoqqa ochiladigan qilib o'rnatish.....	2
2.3	Eshik ochilishi uchun zarur maydon bo'yicha talablar.....	3
2.4	Jihozni tik o'rnatish.....	3
2.5	Ishlatishdan avval tozalash.....	3
2.6	Jihozingizdan foydalanishdan avval.....	3
2.7	Ichki moslamalari.....	4
3.	MAHSULOTNING UMUMIY TUZILISHI.....	5
4.	ISHLATISH.....	5
4.1	Ishlatish bo'yicha ko'rsatmalar.....	5
4.2	Jihoz ichida shovqin.....	7
4.3	Jihozda oziq-ovqat saqlash bo'yicha maslahatlar.....	7
4.4	Chiroq lampochkasini almashtirish.....	7
5.	TOZALASH.....	7
5.1	Muzini eritish.....	7
5.2	Jihozning tashqi qismini va ichki qismini tozalash.....	7
5.3	Tozalash bo'yicha maslahatlar.....	7
6.	TEXNIK XIZMAT KO'RSATISH.....	8
6.1	Ichki chiroq lampochkasini almashtirish.....	8
6.2	Jihozingizni ko'tarish/tushirish va surishda ehtiyotkorlik choralari.....	8
6.3	Texnik xizmat lo'rsatish.....	8
6.4	Uzoq muddatga o'chirib qo'yish.....	8
6.5	Sovutgichning havo chiqich va havonong qayta kirich teshiklarini to'sib qo'ymang	8
7.	NOSOZLIKLARNI ANIQLASH VA BARTARAF ETISH.....	8
7.1	Maslahatlar.....	9
8.	ELEKTR ENERGIYASINI TEJASH BO'YICHA MASLAHATLAR.....	9
9.	CHIQUINDIGA TOPSHIRISH.....	9

1.HAVFSIZLIK BO'YICHA OGOHLANTIRISHLAR

- 1) **OGOHLANTIRISH:** Jihoz korpusidagi yoki ichiga o'rnatilgan konstruksiyadagi ventilyatsiya tirqishlarini to'siqlardan holi qiling.
- 2) **OGOHLANTIRISH:** Muzini eritish jarayonini tezlatish uchun ishlab chiqaruvchi tomonidan tavsiya etilgandan boshqa mexanik moslamalardan yoki boshqa vositalardan foydalanmang.
- 3) **OGOHLANTIRISH:** Sovutish suyuqligi tizimiga shikast yetkazmang.
- 4) **OGOHLANTIRISH:** Jihozning oziq-ovqat bo'limlarida elektr jihozlaridan, agar ular ishlab chiqaruvchi tomonidan tavsiya etilmagan bo'lsa, foydalanmang.
- 5) Jihoz ishlatilib bo'lganidan so'ng va unga foydalanuvchi tomonidan texnik xizmat ko'rsatishi oldidan, uning vilkasi rozetkadan olib tashlanishi lozim.

6) Jihozdan 8 yashar va yoshi undan oshgan bolalar va jismoniy, sezish va ruhiy qobiliyatlari sust bo'lgan yoki tajribasiz va bilimsiz shaxslar (shu jumladan bolalar) tomonidan, agar ular ularning havfsizliklari uchun mas'ul bo'lgan shaxslar jihozni ishlatishlari ustidan nazorat qilsalar yoki havfsiz ishlatishni o'rgatsalar va mavjud xatarlarni tushunsalar, foydalanishlari mumkin. Jihozni tozalash va unda foydalanuvchi texnik xizmati kattalarning nazoratisiz bolalar tomonidan bajarilmaydi.

7) Agar elektr ta'minot shnuri shiksatlangan bo'lsa, havf oldini olish uchun, u ishlab chiqaruvchi, uning xizmat ko'rsatish agenti yoki shu kabi malakali shaxslar tomonidan almashtirilishi lozim.

8) Sovutgichni chiqindiga chiqarish ichida yonuvchan gaz va sovutish suyuqligi bo'lgan jihozlarni chiqindiga chiqarish mahalliy qoidalariga binoan amalga oshiriladi.

9) Ichida yonuvchan gaz va sovutish suyuqligi bo'lgan jihozlarni chiqindiga chiqarishda mahalliy qoidalariga binoan ish ko'ring. Jihozni chiqindiga chiqarishdan avval, uning ichida bolalar qamalib qolishlarini oldini olish uchun uning eshigini olib tashlang.

10) Bu jihoz

- xonadonlarda va do'konlardagi xodimlar oshxonalari, idoralar va boshqa ish xonalari kabi shunga o'xshash joylarda

- ferma uylarida va mehmonxonalarda, motellarda va boshqa turar-joy turidagi joylarda;

- tunash uchun krovat va nonushta bilan ta'minlovchi muassasalarda;

jamoatchilik ovqatlanish va shunga o'xshash chakana xizmat korsatmaydigan muassasalarda ishlatish uchun mo'ljallangan;

11) Bu jihoz ichida yonuvchan tizillab chiqadigan aerezollik idishlar kabi portlovchi moddalarni saqlamang.



QOPQOQLARNI YECHIB OLISH BILAN BOG'LIQ BO'LGAN XIZMAT KO'RSATISH YOKI TA'MIRLASH ISHLARI VAKOLATLANGAN XIZMAT KO'RSATISH XODIMLARIDAN BOSHQA SHAXSLAR TOMONIDAN BAJARILISHI HAVFLI HISOBLANADI.



ELEKTR QUVVATI ZARBASI HAVFINI OLDINI OLISH UCHUN TA'MIRLASH ISHLARINI O'ZINGIZ BAJARMANG.

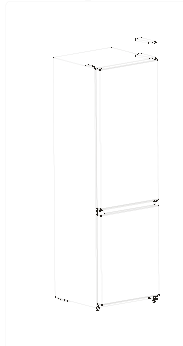
2. O'RNATISH

2.1 Joylashtirish

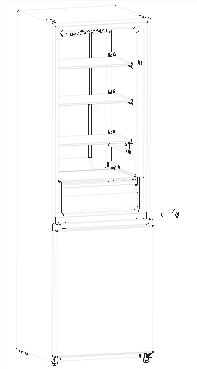
Jihozingiz uchun joy tanlashda, joyning tekisligi va mustahkamligiga va xonada havo yaxshi aylanishiga ishonch hosil qiling. Jihozingizni ovqat pishirish o'chog'i, suv qozoni yoki isitish radiatori kabi issiqlik manba'lari yaqiniga o'rnatmang. Hamda bevosita quyosh tushadigan joyga ham qo'ymang, chunki bu elektr quvvati ta'minotini ko'paytirishi mumkin. O'ta sovuq muhit ham jihozning tegishli tarzda ishlashiga imkon bermasligi mumkin. Bu jihoz garazhda yoki tashqi muhitda ishlatish uchun ham mo'ljallanmagan. Jihoz ustiga xech qanday mato yopmang. Jihozni o'rnatishda uning ikki yoni va orqa tarafida 10 smdan va tepasida 30 sm ochiq masofa qolishini ta'minlang. Bu may sovutgichi atrofida sovuq havoning aylanishiga imkon yaratadi va sovutish jarayoni samarasini oshiradi.

2.2 Eshikni boshqa tarafga ochiladigan qilib o'rnatish

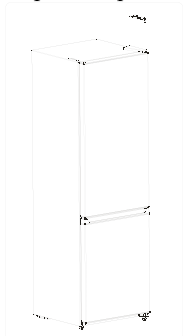
1) Barmoqlarni himoya qilish qismini yechib oling.



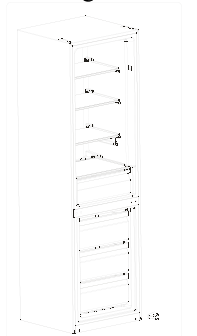
4) Otvvertka yordamida orta oshiqni yechib oling.



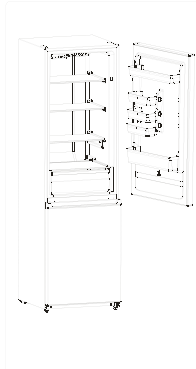
2) Tepa oshiqni chiqarib oling.



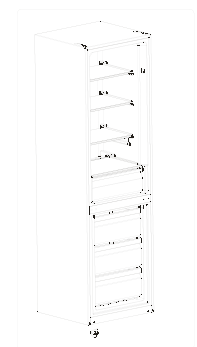
5) Muzlatgich bo'limining eshigini yechib oling.



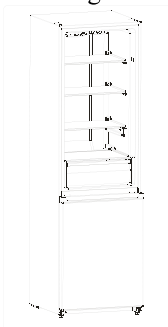
3) Sovutish bo'limi eshigini yechib oling.



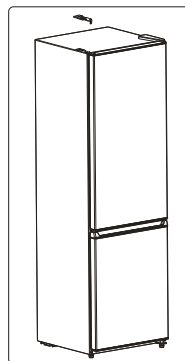
6) Otvvertka yordamida oshiq yig'masini yechib oling. Otvvertka yordamida oshiq yig'masini sovutgichning chap tarafiga o'rnatang.



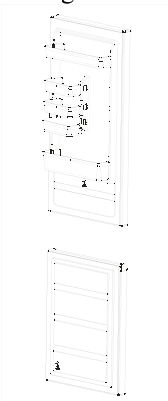
- 7) Muzlatgich bo'limi eshigini pastki oshiqqa o'rnatib.



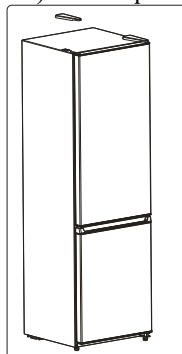
- 9) Sovutish bo'limining eshigini o'rnatib.



- 8) Orta oshiq yig'masini sovutgichning chap tarafiga o'rnatib.

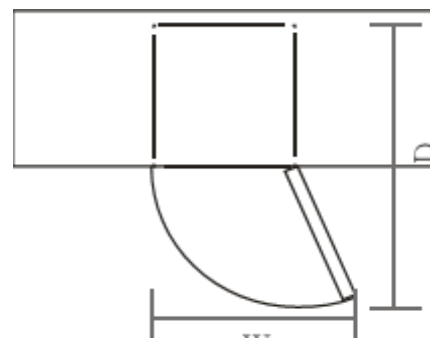


- 10) Barmoqlarni himoya qilish qismini yechib oling.



2.3 Eshik ochilishi uchun zarur maydon bo'yicha talablar

Jihoz eshigi suratda ko'rsatilganidek to'liq ochilishi lozim.
Kengligi x uzunligi $\geq 990 \times 1025$ mm



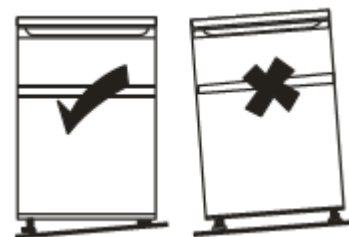
2.4 Jihozni tik o'rnatish

Jihozni tik o'rnatish uchun jihozning old tarafida tagida ikkita moslashtirish oyoqchasi mavjud.

Agar jihoz tikka bo'lmasa, eshik va magnitli jipslashtirgichlar bir biriga to'g'ri kelmaydi.

Sovutgichni ishga tushirishdan avval uning oyoqchalari polga tegib turganligiga ishonch hosil qiling.

Tepadan pastga qarang, o'nnga va chapga burasangiz, bo'shaydi va mahkamlanadi.



2.5 Ishlatishdan avval tozalash

Jihozning ichini ichimlik sodasining kuchsiz eritmasi bilan arting. So'ng gubka yoki matodan foydalanib iliq suv bilan tozalab tashlang. Tokchalarni va salad qutisini iliq sovunli suv bilan yuving va jihozning ichiga qayta ovqat qo'yishdan avval yaxshilab quring. Jihoz tashqi yuzasini nam mato bilan arting. Agar sizga batafsilroq ma'lumot zarur bo'lsa, "Tozalash" bo'limini o'qing.

2.6 Jihozingizdan foydalanishdan avval

Sovutgich 220~240V/50 Gts o'zgaruvchan tokda ishlaydi, 187 ~ 264 V o'rtasida kuchlanishning o'ynashi sovutgichning noto'g'ri ishlashiga yoki xatto shikastlanishiga olib keladi.

Havfsiz foydalanishni ta'minlash uchun, xech bir holatda elektr shnuriga shikast yetkazmang, shikast yetgan shnur, vilka bilan jihozni ishlatmang.

Mahsulotga zarar yetkazmaslik yoki o't chiqishini oldini olish uchun, sovutgich ichiga yonuvchan, portlovchi, bug'lanuvchan va yuqori darajada agressiv moddalarni qo'ymang.

O't chiqishini oldini olish uchun sovutgich yoniga yonuvchan buymlarni qo'ymang.

Bu mahsulot ro'zg'or sovutgichidir va faqat oziq-ovqat saqlash uchun mos. Davlat meyyorlariga binoan, ro'zg'or sovutgichlari qon, dori-darmon yoki biologik moddalarni saqlash kabi boshqa maqsadlarda ishlatilmaydi.

Shishada pivo va boshqa ichimliklar butilkalari kabi og'zi berkitilgan idishlarni yorilib ketmasligi yoki boshqacha tarzda isrof bo'lishiga yo'l qo'ymaslik uchun muzlatgichga qo'ymang.

Jihozingizga oziq-ovqat qo'yishdan avval, uni 24 soatga yoqib qo'yib tegishli tarzda ishlashiga ishonch hosil qiling va ichidagi harorat belgilangan darajagacha tushishini kuting. Jihozingiz oziq-ovqatga to'lib-toshib ketmasligi lozim. Sovutgichda quruq muz saqlamang va ichiga qo'ymang.



◆ Vilkani rozetkaga tiqishdan avval

Sizning rozetkangiz jihozning vilkasiga mos keladigan rozetka ekanligini tekshirishingiz lozim.

◆ Jihozni yoqishdan avval

Jihoz bir joydan ikkinchi joyga ko'chirilganidan so'ng ikki soat o'tmasidan uni yoqmang.

2.7 Ichki moslamalari

Jihozingiz o'z ichiga turli shisha va plastic tokchalarini oladi – turli rusumlarda turli tarkib jamlangan.

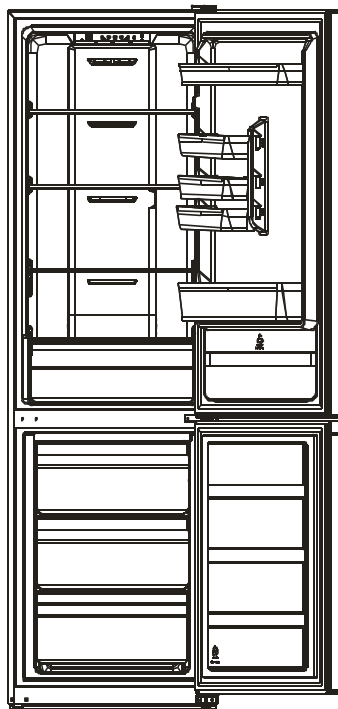
Har doim to'liq shisha tokchalarini ho'l meva va sabzavot qutilarining ustidagi eng ostki yo'naltiruvchilar jamlamasiga joylashtiring va ularni shu holatda saqlang. Shunday qilish uchun, oziq-ovqat saqlash tokchasini oldinga qarab, tepaga va pastga qaratib qiyshaytirish va chiqarib olish mumkin bo'lgunga qadar torting.

Iltimos, tokchani boshqa balandlikda joylashtirish uchun xuddi shu ishlarni aksincha tartibda bajaring.



Sof oziq-ovqat va muzlatilgan oziq-ovqat bo'limlarining iloji boricha ko'proq hajmidan foydalanish uchun, foydalanuvchi bir yoki bir necha tokchani, tortma qutini kundalik foydalanish zaruratiga qarab olib qo'yish mumkin.

3. MAHSULOTNING UMUMIY TUZILISHI



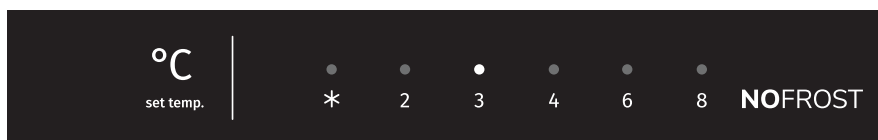
- * Nuqtali chiziqlar havo chiqish va qaytariladigan havoning kirish teshiklarini bildiradi.
- * Ushbu qo'llanmadagi barcha suratlari faqat ko'rsatish uchun berilgan, iltimos, batafsilroq ma'lumot uchun o'z sotgichingizga qarang.

4. ISHLATISH

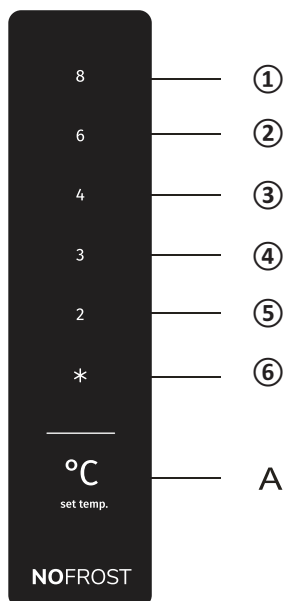
4.1 Ishlatish bo'yicha ko'rsatmalar.

Haroratni boshqarish

- Sof oziq-ovqat saqlash bo'limi haroratini boshqarish



A ⑥ ⑤ ④ ③ ② ①
SET temperature – Haroratni o'rnatish Fast cool – tez sovutish



Klavish

A. SET: Tezlik o'rnatish klavishasi

Display ekrani

1. Tezlik 1
2. Tezlik 2
3. Tezlik 3
4. Tezlik 4
5. Tezlik 5

Display

Birinchi marta yoqishda, display ekrani (shu qatorda kalit chirog'i ham) to'liqligicha 3 soniya davomida ko'rsatiladi va so'ng o'rtadagi tezlikda ishlash holatini ko'rsatadi.

Normal holatda ishlash displayi

Ishlashdan to'xtab qolish holati yuz bersa, tegishli yoruqlik diodi ishlashdan to'xtab qolish holati kodini ko'rsatadi (sxema displayi);

Ishlashdan to'xtab qolish holati yuz bermasa, yorug'lik diodi sovutgichning ishlab turgan tezligini ko'rsatadi.

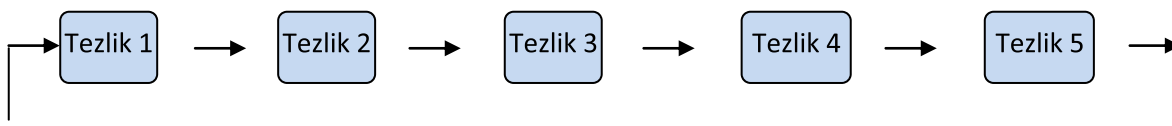
Tezlikni o'rnatish

SET klavishasi

Tezlikni o'rnatish

Gear setting

Siz har gal SET klavishasini bir marta bosganingizda tezlik o'zgaradi. So'ng, 15 soniyadan keyin sovutgich o'rnatilgan kattalikda ishlaydi.



Tez sovutish funhsiyasi

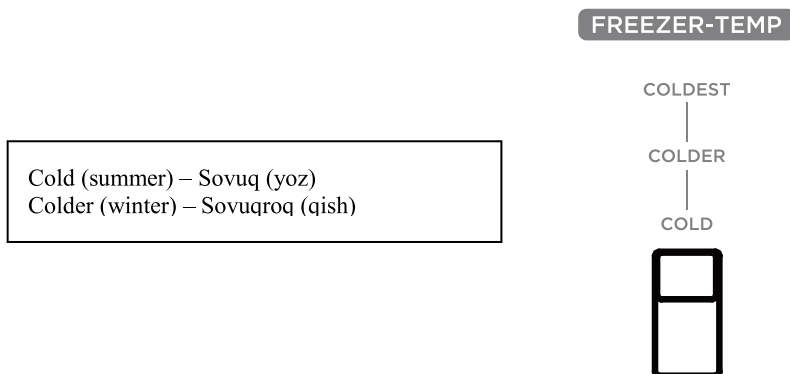
Kiriting: Aylanish modulyatsiyasida tez sovutish rezhimi

Ishlatish: tez sovutish indikator yonadi va sovutgich 2°C la ishlay boshlaydi.

Chiqish: 1. Tez sovutish rezhimida 150 daqiqa ishlating.

Haroratni moslashtirish tez sovutish rezhimidan chiqib ketishi mumkin.

- Muzlatish bo'limi haroratini boshqarish.



“COLDER” holatida muzlatish harorati nisbatan past, “COLD” holatida esa muzlatish harorati nisbatan baland, shunday qilib, ko'pincha “NORMAL” holati ishlatiladi.

Yozda atrof-muhit harorati baland bo'lganida, harorat diapazoni "NORNAL" bilan "COLD" o'rtasida bo'ladi. Agar atrof-muhit harorati 35°C dan yuqori bo'lsa, ko'pincha "COLD" holatidan foydalaniladi.

Qishda atrof-muhit harorati past bo'lganida, harorat diapazoni "NORMAL" bilan "COLDER" o'rtasida bo'ladi. Agar atrof-muhit harorati 10 °C dan past bo'lsa, ko'pincha "COLDER" holatidan foydalaniladi.

4.2 Jihoz ichida shovqin!

Siz jihazingiz qandaydir g'ayritabiiy shovqin chiqarayotganini sezishingiz mumkin. Bularning ko'pi mutlaqo oddiy hisoblanadi, lekin siz bulardan xabardor bo'lishingiz kerak! Bu shovqinlar sovutish suyuqligining sovutish tizimidagi aylanishi natijasida vujudga keladi. Bu shovqinlar freonsiz gazlar tadbiiq etilishidan beri balandroq chiqadigan bo'lib qolgan. Bu nosozlik hisoblanmaydi va jihazingiz ishlashiga ta'sir ko'rsatmaydi. Bu kompressor dvigatelining ishlashi natijasidir, chunki u sovutish suyuqligini tizim boy'lab aylantiradi.

4.3 Oziq-ovqatni jihazda saqlash bo'yicha maslahatlar

◆ Pishirilgan go'sht/baliq bakteriyalar tarqalishini olish uchun xar doim xom go'sht/baliq ustidagi tokchada saqlanishi lozim. Xom go'sht/baliqdan chiqqan suvni saqlash imkonini beradigan kattaroq qutida saqlang va ustini yaxshilab berkitib qo'ying. Qutini eng pastki tokchaga qo'ying.

◆ Jihaz ichida havo aylanishi uchun oziq-ovqat atrofida joy qoldiring. Jihazning barcha joylari sovuq saqlanishini ta'minlang.

◆ Hidi chiqib ketishi va qurib qolishini oldini olish uchun oziq-ovqatni alohida o'rang yoki ustini berkiting. Ho'l meva va sabsavotni o'rash talab qilinmaydi.

◆ Pishirilgan ovqatni jihazga qo'yishdan avval xar doim sovuting. Bu jihaz ichidagi haroratni saqlash imkonini beradi.

◆ Jihozdan sovuq havo chiqib ketmasligi uchun, uning eshigini ochib-berkitishni kamaytirishga xarakat qiling. Biz eshikni faqat ovqat olish yoki qo'yish uchun ochishni tavsiya qilamiz.

4.4 Chiroq lampochkasini almashtirish

Chiroq lampochkasi mutaxassislar tomonidan almashtirilishi lozim.

5. TOZALASH

5.1 Muzini eritish

Muz yig'maydigan sovutgichda muz yig'ilishiga qarshi chora ko'rilgan.

5.2 Jihaz ichini va tashqari yuzasini tozalash

◆ Barcha tokchalar va salad qutisini chiqarib oling. Salad qutisini olish uchun avval pastki eshik tokchasini chiqarib oling.

◆ Jihazning ichini ovqat sodasining suyuq eritmasi bilan arting va iliq suvda ho'llangan gubkadan yoki matodan foydalanib, artib tashlang. Tokchalarni va qutilarni joylariga qo'yishdan avval, ularni yaxshilab artib quriting.

◆ Jihaz tashqi yuzasini tozalash uchun nam matodan foydalaning va oddiy mebel yarqiratadigan modda bilan arting. Mebel yarqirinish moddasi eshikning magnitli jiplashtiruvchi rezinasiga yoki jihazning ichiga tishirmasligi uchun avval eshikni berkitib qo'ying.

◆ Jihazning orqasidagi kondensator panjarasi va yonidagi qismlari yumshoq shetkali moslama o'rnatilgan chang yutgich bilan tozalanishi mumkin.

5.3 Tozalash bo'yicha maslahatlar

Jihazning tashqarisida kondensat paydo bo'lishi mumkin. Bu xona havosi haroratidagi o'zgarishning natijasi bo'lishi mumkin. Namlik qoldiqlarini artib tashlang. Agar bu hodisa takrorlansa, malakali mutaxassisga murojaat qilib yordam so'rang.

6. TEXNIK XIZMAT KO'RSATISH

6.1 Ichki chiroq lampochkasini almashtirish.

Chiroq lampochkasi mutaxassislar tomonidan almashtirilishi lozim.

6.2 Jihozingizni ko'tarish/tushirish va surishda ehtiyotkorlik choralari

Jihozni ko'tarishda uning yon taraflaridan yoki tagidan ushlab ko'taring. Xech bir holatda uning tepasidagi qirrasidan ushlab ko'tarmang.

6.3 Xizmat ko'rsatish

Jihozga vakolatlangan muxandis xizmat korsatishi lozim va faqat asl ehtiyot qismlardan foydalanmoq lozim. Xech bir holatda jihozni o'zingiz ta'mirlashga xarakat qilmasligingiz lozim. Tajribasiz shaxslar tomonidan ta'mirlash tan jarohati yetkazishi yoki jiddiy nosozlikka olib kelishi mumkin. Malakali mutaxassisga murojaat qiling.

6.4 Uzoq muddatga o'chirib qo'yish

Jihoz uzoq muddat ishlatilmaydigan bo'lsa, uni elektr manba'idan olib qo'yish, barcha oziq-ovqatni olib jihozni tozalash kerak va jihoz ichida noxush hid paydo bo'lmasligi uchun, uning eshigini biroz ochib qo'yish lozim.

6.5 Sovutgichning havo chiqish va qaytadigan havo kirish teshiklari oldini to'sib qo'ymang.

6.6 Harorati balandroq bo'lgan oziq-ovqatlarni harorat datchigi yaqiniga qo'ymang.

6.7 Sovutgich muzlatish bo'limi tortmasini chiqarib oling va oziq-ovqatlarni bevosita ajratuvchi oynaga qo'ying.

7. Nosozliklarni aniqlash va bartaraf etish

Quyidagi oddiy kamchiliklarni foydalanuvchi bartaraf etishi mumkin. Agar kamchilik bartaraf etilmasa, sotuvdan keyingi xizmat ko'rsatish bo'limiga murojaat qiling.

Jihoz ishlamayapti	Jihoz vilkasi elektr manba'i rozetkasiga tiqilganmi va elektr manba'iga ulanganmi; Kuchlanish past; Elektr taiminotida uzilish yoki ta'minlash tizimi avtomatik tarzda o'chib qolgan.
Hid	Hidli oziq-ovqat yaxshilab o'rab qo'yilishi lozim; Oziq-ovqat buzilmaganmi; Jihozning ichi tozalanishi lozimmi.
Kompressor uzoq vaqt ishlagan	Sovutgichning yoz paytida atrof-muhit harorati balandroq bo'lganda uzoqroq ishlashi normal holat hisoblanadi; Muzlatgichga bir vaqtning o'zida juda ko'p oziq-ovqat qo'ymang. Ovqatni sovimasidan jihozga qo'ymang; Sovutgich eshigi tez-tez ochib, berkitilgan.
Yoritish chirog'i yonmayapti	Sovutgich elektr manba'iga ulanganmi, yoritish chirog'i shiksatlanmaganmi.
Sovutgich eshigi yaxshi berkitilmaydi	Sovutgich eshigiga ovqat o'ramlari tiqilib qolgan Oziq-ovqat juda ko'p; Sovutgich tikka emas.
Baland shovqinlar	Oziq-ovqat tekis qo'yilganmi, sovutgich mustahkam o'rnatilganmi. Sovutgichning qismlari to'g'ri o'rnatilganmi.

7.1 Chin ko'ngildan maslahatlar:

- ◆ Jihoz korpusi o'zidan ayniqsa yozda issiqlik chiqarishi mumkin, bu kondensatordan issiqlik taralishining oqibatidir va bu normal holat hisoblanadi.
- ◆ Kondensatsiya: kondensatsiya holati jihazning tashqi yuzasida va eshik jipslashtiruvchilarda hosil bo'lishi mumkin va uni quruq sochiq bilan artib tashlash mumkin.
- ◆ Signalga oxshash tovush: bu tovush ishlayotgan kompressor tomonidan, ayniqsa yurishni boshlaganida va to'xtayotganida chiqarilishi mumkin.

8. ELEKTR ENERGIYASINI TEJASH BO'YICHA MASLAHATLAR

Eshikni tez-tez ochmaslikka harakat qiling, ayniqsa havo nam va issiq bo'lgan paytda. Eshikni ochsangiz, uni iloji boricha tezroq berkiting.

Goho-goho jihaz yetarli darajada ventilyatsiya qilinayotganligini (uning orqasida havo yetarli darajada aylanishini) tekshirib turing.

Normal haroratli sharoitlarda, iltimos, termostatni o'rta holatga burang.

Jihazga yangi keltirilgan oziq-ovqat o'ramlarini joylashtirishdan avval, ularni atrof-muhit haroratigacha sovuting.

Muz va muz qatlami elektr energiyasi iste'molini oshiradi, shuning uchun qatlam 3-5 mm qalin bo'lishi bilan jihazni tozalang.

Tashqi kondensator, orqa devor xar doim changdan yoki boshqa ifloslardan holi bo'lishi kerak.

◆ Jihaz xonaning eng salqin joyiga, issiqlik chiqaradigan jihazlardan yoki issiqlik quvurlaridan va bevosita quyosh nurlaridan uzoqroqqa o'rnatilishi lozim.

◆ Issiq ovqatlarni jihazga qo'yishdan avval xona haroratigacha sovuting, Jihaz yukini oshirib yuborish kompressorning uzoqroq vaqt ishlashiga olib keladi. Sekin muzlaydigan oziq-ovqatlar o'z sifatini yo'qotishi yoki buzilishi mumkin.

◆ Oziq-ovqatlarni jihazga qo'yishdan avval ular yaxshilab o'ralganligiga va qutilar yaxshilab artilganiga ishonch hosil qiling. Bu jihazning ichida hosil bo'ladigan muzni kamaytiradi.

◆ Jihaz qutilari alyuminiy qog'ozi, mumli qog'oz yoki qog'oz sochiq bilan qoplanmasligi lozim. Qoplamalar sovuq havo aylanishiga halaqit qilib, jihazning ishlash samarasini pasaytiradi.

◆ Eshiklarning ochilishini kamaytirish va oziq-ovqatlarni uzoq qidirmaslik uchun ularning joylashishini tashkil qiling va yorliqlar bilan ta'minlang. Bir vaqtning o'zida kerak bo'lgan narsalarni iloji boricha ko'proq oling va iloji boricha eshikni tezroq berkiting.

9. CHIQUINDIGA TOPSHIRISH

Eski jihazlar xanuz biroz qoldiq qiymatga ega bo'ladi. Atrof-muhitga bezarar chiqindiga chiqarish qimmatbaho xom ashyolarni chiqarib olish va qayta ishlatish imkonini yaratadi. Jihazingizda ishlatilgan sovutish suyuqligi va izolyatsiya materiallari chiqindiga chiqarishning maxsus tartibini talab qiladi. Jihazni chiqindiga chiqarishdan avval uning orqasidagi quvurlarning birori xam shikastlanmasligini ta'minlang. Eski jihazingizni va yangisining o'ramini chiqindiga chiqarishga tegishli ma'lumotni o'z mahalliy boshqaruv idorasidan olishingiz mumkin.

Eski jihazni chiqindiga chiqarishda eski blokirovkalarini yoki ilgaklarni sindirib tashlang va ehtiyotkorlik chorasi sifatida jihazning eshigini olib tashlang.

Jihozni to'gri tarzda chiqindiga chiqarish



Jihozni to'gri tarzda chiqindiga chiqarish

EI bo'yicha bu belgi bu mahsulot boshqa xonadon chiqindilari bilan birga tashlab yuborilmasligi zarur ekanligini bildiradi. Chiqindilarni nazoratsiz tashlab yuborilishidan atrof-muhitga yoki inson sog'lig'iga zarar yetkazmaslik uchun, uni material resurslaridan barqaror tarzda qayta foydalanishga sharoit yaratib berish uchun uni mas'uliyat bilan qayta ishlash uchun topshiring. Foydalanilgan o'z jihazingizni topshirish uchun, chiqindi yig'ish tizimidan foydalaning yoki mahsulot xarid qilgan joyga murojaat qilin. Ular bu jihazni atrof-muhitga bezarar tarzda qayta ishlash uchun topshirishlari mumkin.

Batafsilroq ma'lumot olish uchun, iltimos, mahalliy organga yoki shu mahsulotni xarid qilgan savdo shaxobchasiga murojat qiling.

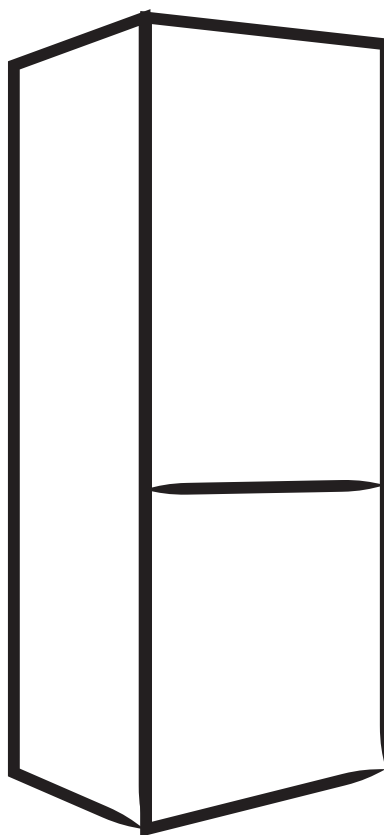
www.midea.uz



GE

მაგივარი
ქვედა საყინულე

მომხმარებლის სახელმძღვანელო



პროდუქტის გამოყენებამლე,გთხოვთ,
ყურადღებით გაეცანით
სახელმძღვანელოს.

სახელმძღვანელო უნდა შეინახოთ
შემდგომი მიდითებისთვის

მოდელი: MDRB424FGF*სერია

www.midea.com

სარჩევი

1 უსაფრთხოება	
1.1 გაფრთხილება	1-2
1.2 უსაფრთხოების სიმბოლოების მნიშვნელობა	3
1.3 ელექტროენერგიასთან დაკავშირებული გაფრთხილებები	3
1.4 გამოყენებასთან დაკავშირებული გაფრთხილებები	4
1.5 განთავსებასთან დაკავშირებული გაფრთხილებები	5
1.6 ენერგიასთან დაკავშირებული გაფრთხილებები	5
1.7 ნარჩენის მართვასთან დაკავშირებული გაფრთხილებები	5
2 მაცივრის სწორი გამოყენების წესები	
2.1 მოთავსება	7
2.2 ნიველირებადი სადგამები	8
2.3 კარის შეცვლა მარჯვნიდან-მარცხნივ	9
2.4 ნათურების შეცვლა	12
2.5 ჩართვა	12
2.6 რჩევები ენერგიის დაზოგვის შესახებ	13
3 სტრუქტურა და ფუნქციები	
3.1 ძირითადი კომპონენტები	14
3.2 ფუნქციები	16
4 მაცივრის მოვლა-შენახვა	
4.1 საერთო გაწმენდა	18
4.2 გაღობა	19
4.3 გათიშვა	19
5 დიაგნოსტიკა	
5.1 პრობლემების აღმოფხვრა	20

ძვირფასო მომხმარებლებო, მაძლობა ამ მაცივრის არჩევისთვის!

1 უსაფრთხოება

1.1. გაფრთხილება



გაფრთხილება: ხანძრის / აალებადი მასალების რისკი

წინამდებარე მოწყობილობა განკუთვნილია საყოფაცხოვრებო და ისეთ მსგავს გარემოში გამოსაყენებლად, როგორცაა პერსონალის სამზარეულოები მაღაზიებში, ოფისებში და სხვა სამუშაო გარემოში; ფერმებში და სასტუმროებში, მოტელებში და სხვა საცხოვრებელი ტიპის გარემოში; Bed and Breakfast ტიპის გარემოში; კვებაში და სხვა მსგავს არასაცალო გარემოებში.

ეს მოწყობილობა არ არის განკუთვნილი მცირე ფიზიკური, სენსორული ან გონებრივი შესაძლებლობების მქონე პირების (მათ შორის ბავშვების) ან გამოცდილების და ცოდნის ნაკლებობის მქონე პირების მიერ გამოყენებისთვის, გარდა იმ შემთხვევისა, როდესაც ისინი ამას განახორციელებენ მათ უსაფრთხოებაზე პასუხისმგებელი პირის შესაბამისი მეთვალყურეობის ქვეშ ან მოწყობილობის გამოყენების ინსტრუქციის მიღების საფუძველზე.)

ბავშვები უნდა იყვნენ მეთვალყურეობის ქვეშ, რათა მათ არ ითამაშონ ამ მოწყობილობით.

თუ კვების კაბელი დაზიანებულია, საფრთხის თავიდან ასაცილებლად ის უნდა შეიცვალოს მწარმოებლის, მისი სერვისის აგენტის ან მსგავსი კვალიფიკაციის მქონე პირების მიერ.

ამ მოწყობილობაში დაუშვებელია ფეთქებადი ნივთიერებების შენახვა, როგორცაა მაგალითად აეროზოლური ქილა აალებადი საწვავით.

მოწყობილობა ქსელიდან უნდა გამოირთოს გამოყენების შემდეგ და მოწყობილობის დიაგნოსტიკამდე.

გაფრთხილება: სავენტილაციო ღიობები მოწყობილობის შიგთავსში ან ჩაშენებულ სტრუქტურაში დაბრკოლებისგან თავისუფალი უნდა იყოს.

გაფრთხილება: არ გამოიყენოთ მექანიკური მოწყობილობები ან სხვა საშუალებები გაღობის პროცესის დასაჩქარებლად, გარდა მწარმოებლის მიერ რეკომენდებულია.

გაფრთხილება: არ დააზიანოთ მაცივებლის სისტემა.

გაფრთხილება: არ გამოიყენოთ ელექტრო მოწყობილობები მოწყობილობის საკვების შესანახ განყოფილებებში, თუ ისინი არ არის მწარმოებლის მიერ რეკომენდებული ტიპის.

გაფრთხილება: გთხოვთ, მაცივარი გამოიყენოთ ადგილობრივი რეგულატორების მიხედვით, რადგან მასში გამოიყენება აალებადი აირები და მაგრილებელი აგენტი.

გაფრთხილება: მოწყობილობის განთავსებისას, დარწმუნდით, რომ კვების კაბელი არ არის გაჭედილი ან დაზიანებული.

გაფრთხილება: არ განათავსოთ რამდენიმე პორტატული განყოფილება ან პორტატული კვების წყარო მოწყობილობის უკანა მხარეს.

არ გამოიყენოთ დასაგრძელებელი სადენები ან დაუმიწებელი გადამყვანები.

საფრთხე: ბავშვის ჩაკეტვის საფრთხე. სანამ გადააგდებთ ძველ მაცივარს ან საყინულეს:

- მოხსენით კარი.

- დაატოვით თაროები ისე, რომ ბავშვები ადვილად ვერ შევიდნენ შიგნით.

აქსესუარის ინსტალაციამდე მაცივარი უნდა გაითიშოს ელექტრომომარაგების წყაროდან.

მაცივებელი აგენტი და ციკლოპენტანის ქაფიანი მასალა, რომელიც გამოიყენება მოწყობილობისთვის, აალებადია.

ამიტომ, როდესაც ხდება მოწყობილობა დაჯართება, ის უნდა იყოს დაცული ნებისმიერი ხანძრის წყაროსგან და იგი უნდა განკარგოს სპეციალური შესაბამისი კვალიფიკაციის მქონე კომპანიამ, აკრძალულია მისი დაწვა, რათა თავიდან იქნას აცილებული გარემოს დაბინძურება ან რაიმე სხვა ზიანი.

ევროკავშირის სტანდარტისთვის: ეს მოწყობილობა შეიძლება გამოიყენონ 8 წელზე უფროსი ასაკის ბავშვებმა და დაქვეითებული ფიზიკური ან გონებრივი შესაძლებლობების ან მცირე გამოცდილების და ცოდნის მქონე პირებმა, შესაბამისი მეთვალყურეობის ქვეშ ან მოწყობილობის უსაფრთხოდ გამოყენების შესახებ ინსტრუქციის საფუძველზე, ამასთან აუცილებელია რომ ისინი აცნობიერდნენ დაკავშირებულ საფრთხეებს. ბავშვებმა არ უნდა ითამაშონ მოწყობილობასთან. დასუფთავება და მოვლა-შენახვა არ უნდა განხორციელდეს ბავშვების მიერ მეთვალყურეობის გარეშე. 3-დან 8 წლამდე ბავშვებს უფლება აქვთ მაცივარში შეინახონ ან მაცივირიდან აიღონ პროდუქტები.

აუცილებელია რომ საკეტებითა და გასაღებებით აღჭურვილი კარების ან თავსახურაგების გასაღებები ინახებოდეს ბავშვებისთვის მიუწვდომელ ადგილას და სამაცივრო მოწყობილობისგან მოშორებით, რათა არ მოხდეს ბავშვების შიგნით ჩაკეტვა.

საკვების დაბინძურების თავიდან ასაცილებლად, გთხოვთ, გაითვალისწინოთ შემდეგი ინსტრუქციები:

- კარის ხანგრძლივად გაღებამ შეიძლება გამოიწვიოს ტემპერატურის მნიშვნელოვანი მატება მოწყობილობის განყოფილებებში.

- რეგულარულად გაასუფთავეთ ზედაპირები, რომლებიც ხშირად შეიძლება ეხებოდეს საკვებს და ხელმისაწვდომი სადრენაჟო სისტემები.

- გაასუფთავეთ წყლის ავზები, თუ თუ მათი გამოყენება არ მომხდარა 48 საათის განმავლობაში; გამორეცხეთ წყალმომარაგებასთან დაკავშირებული წყლის სისტემა, თუ წყლის ამოღება არ მომხდარა 5 დღის განმავლობაში. (შენიშვნა 1)

- უმი ხორცი და თევზი შეინახეთ შესაფერის ჭურჭლით მაცივარში ისე, რომ არ ეხებოდეს სხვა საკვებს.

- ორი ვარსკვლავიანი გაყინული საკვების განყოფილებები შესაფერისია წინასწარ გაყინული საკვების, ნაყინის შესანახად ან დასამზადებლად და ყინულის კუბების დასამზადებლად. (შენიშვნა 2)

- ერთი, ორი და სამი ვარსკვლავიანი განყოფილება არ არის შესაფერისი ახალი საკვების გაყინვისთვის. (შენიშვნა 3)

- მოწყობილობებისთვის 4 ვარსკვლავიანი განყოფილების გარეშე: ეს სამაცივრო მოწყობილობა არ არის შესაფერისი საკვები პროდუქტების გაყინვისთვის. (შენიშვნა 4)

- თუ სამაცივრო მოწყობილობა დიდი ხნის განმავლობაში არის ცარიელი, გამორთეთ, გააღვეთ, გაასუფთავეთ, გააშრეთ და დატოვეთ კარი ღია, რათა მოწყობილობაში არ გაჩნდეს ობი.




შენიშვნა 1,2,3,4: გთხოვთ, შეამოწმოთ, შეესაბამება თუ არა მისი გამოყენება თქვენი პროდუქტის განყოფილების ტიპს.

დამოუკიდებელი მოწყობილობისთვის: ეს სამაცივრო მოწყობილობა არ არის განკუთვნილი ჩამენებისთვის.

LED ნათურის ნებისმიერი შეცვლა ან შეკეთება უნდა განხორციელდეს მწარმოებლის, მისი სერვისის აგენტის ან მსგავსი კვალიფიციური პირის მიერ.

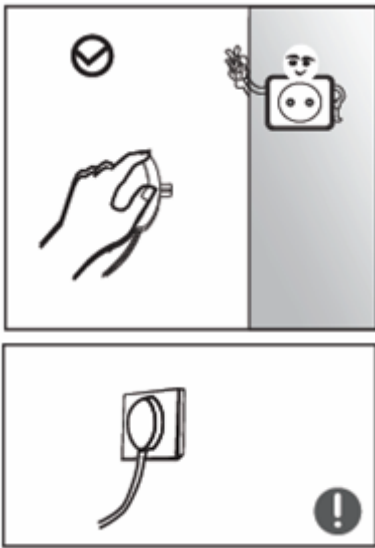
ეს პროდუქტი შეიცავს ენერგოეფექტურობის კლასის სინათლის წყაროს (F).

1.2 უსაფრთხოების სიმბოლოების მნიშვნელობა

 აკრძალვის სიმბოლო	აკრძალვის სიმბოლო. ამ სიმბოლოთი აღნიშნული ინსტრუქციების ნებისმიერმა შეუსრულებლობამ შეიძლება გამოიწვიოს პროდუქტის დაზიანება ან საფრთხე შეუქმნას მომხმარებლის პირად უსაფრთხოებას.
 გაფრთხილების სიმბოლო	გაფრთხილების სიმბოლო აუცილებელია ამ სიმბოლოთი მონიშნული ინსტრუქციების მკაცრი დაცვით მუშაობა; წინააღმდეგ შემთხვევაში შესაძლებელია დაზიანდეს პროდუქტი ან მომხმარებელმა მიიღოს პირადი დაზიანება.
 შენიშვნის სიმბოლო	სიფრთხილის სიმბოლო ამ სიმბოლოთი მონიშნული ინსტრუქციები განსაკუთრებულ სიფრთხილეს მოითხოვს არასაკმარისმა სიფრთხილემ შეიძლება გამოიწვიოს მსუბუქი ან ზომიერი დაზიანება, ან პროდუქტის დაზიანება.

წინამდებარე სახელმძღვანელო შეიცავს უამრავ მნიშვნელოვან ინფორმაციას უსაფრთხოების შესახებ, რომელიც მომხმარებლებების მიერ უნდა იყოს გათვალისწინებული.

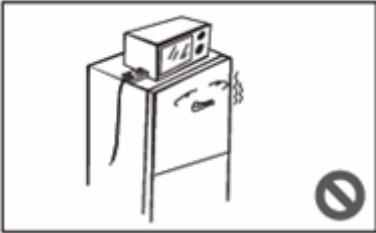
1.3 ელექტროენერგიასთან დაკავშირებული გაფრთხილებები



- მაცივრის დენიდან გათიშვისას არ მოქაჩოთ კვების კაბელს. გთხოვთ, მტკიცედ მოკიდეთ ხელი შტეკერს და ამოიღეთ იგი როზეტიდან პირდაპირ.
- უსაფრთხო გამოყენების უზრუნველსაყოფად, არ დააზიანოთ კვების კაბელი და არ გამოიყენოთ კვების კაბელი, როდესაც ის დაზიანებული ან გაცვეთილია.
- გთხოვთ, გამოიყენოთ ცალკე დენის როზეტი და დენის როზეტი არ უნდა იყოს საერთო სხვა ელექტრო მოწყობილობებთან. დენის კაბელი მჭიდროდ უნდა იყოს ჩაჯდეს როზეტში, წინააღმდეგ შემთხვევაში შესაძლოა ამან გამოიწვიოს ხანძარი.
- დარწმუნდით, რომ კვების როზეტის დამიწების ელექტროდი აღჭურვილია საიმედო დამიწების ხაზით

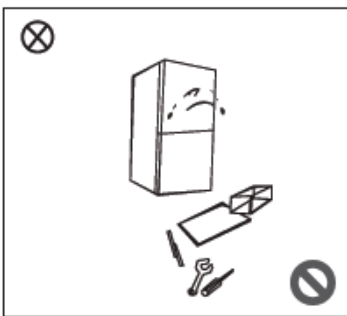


- გაზის და სხვა აალებადი აირების გაჟონვის შემთხვევაში გთხოვთ გამორთოთ გაჟონილი გაზის სარქველი და შემდეგ გააღეთ კარ-ფანჯარა.
- არ გამორთოთ მაცივარი და სხვა ელექტრო მოწყობილობები იმის რადგან, ნაპერწკალმა შეიძლება გამოიწვიოს ხანძარი.

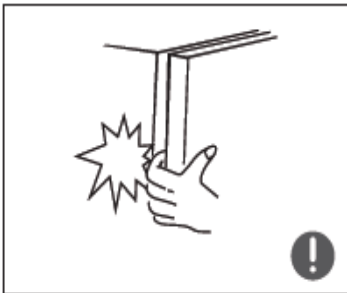


- არ განათავსოთ ელექტრო მოწყობილობები მაცივრის თავზე, თუ ისინი არ განეკუთვნებიან მწარმოებლის მიერ რეკომენდებულ ტიპს.

1.4 გამოყენებასთან დაკავშირებული გაფრთხილებები



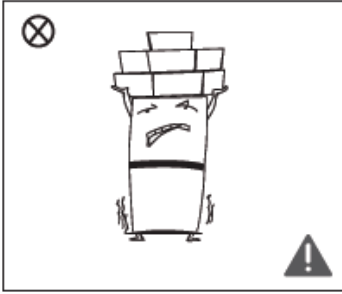
- თვითნებურად არ დაშალოთ ან ააწყოთ მაცივარი და არ დააზიანოთ მაცივრის წრედი; მოწყობილობის შეკეთება უნდა განხორციელდეს სპეციალისტის მიერ.
- დაზიანებული კვების კაბელი უნდა შეიცვალოს მწარმოებლის, მისი ტექნიკური განყოფილების ან მასთან დაკავშირებული პროფესიონალების მიერ, რათა თავიდან აიცილოთ საფრთხე.



- ღრიჭოები მაცივრის კარსა და მაცივრის კორპუსს შორის მცირეა, გაითვალისწინეთ, ამ ადგილებში ხელი არ უნდა მიუახლოვდეთ, რათა თავიდან აიცილოთ თითის მოყოლა. ფრთხილად დახურეთ მაცივრის კარი, რათა თავიდან აიცილოთ ნივთების ჩამოვარდნა.



- საყინულიდან არ აიღოთ საკვები ან კონტეინერები სველი ხელებით, როდესაც მაცივარი მუშაობს, განსაკუთრებით ლითონის კონტეინერები, რათა თავიდან აიცილოთ მოყინვა.
- არ დაუშვათ ბავშვის მაცივარში შესვლა ან თაროებზე ასვლა; წინააღმდეგ შემთხვევაში შეიძლება ბავშვი გაიგუდოს ან ჩამოვარდეს.



- არ მოათავსოთ მძიმე საგნები მაცივრის თავზე იმის გათვალისწინებით, რომ კარის დახურვისას ან გაღების დროს ნივთი შეიძლება გადმოვარდეს და გამოიწვიოს შემთხვევითი დაზიანებები.
- ელექტროენერჯის გათიშვის ან წმენდის შემთხვევაში, გთხოვთ, მაცივარი გამორთოთ როზეტიდან. არ შეაერთოთ მაცივარი ელექტრომომარაგებაზე ხუთი წუთის განმავლობაში, რათა თავიდან აიცილოთ კომპრესორის დაზიანება თანმიმდევრული ჩართვების გამო.

1.5 განთავსებასთან დაკავშირებული გაფრთხილებები

	<ul style="list-style-type: none"> • არ მოათავსოთ აალეზადი, ფეტქებადი, აქროლადი და ძლიერ კოროზიული ნივთები მაცივარში, რათა თავიდან აიცილოთ პროდუქტის დაზიანება ან ხანძარი. • არ მოათავსოთ აალეზადი ნივთები მაცივართან ახლოს, ხანძრის თავიდან ასაცილებლად.
	<ul style="list-style-type: none"> • მაცივარი განკუთვნილია საყოფაცხოვრებო მოხმარებისთვის, საკვების შესანახად; ის არ უნდა იქნას გამოყენებული სხვა მიზნებისთვის, როგორცაა სისხლის, წამლების ან ბიოლოგიური პროდუქტების და ა.შ შენახვა.
	<ul style="list-style-type: none"> • მაცივრის საყინულეში არ შეინახოთ ლუდი, სასმელი ან სხვა სითხე ბოთლებით ან დახურული კონტეინერებით; რადგან ბოთლები ან დახურული კონტეინერები შეიძლება გაიბზაროს გაყინვის გამო და გამოიწვიოს პროდუქტის დაზიანება.

1.6 ენერჯიასთან დაკავშირებული გაფრთხილებები

ენერჯიასთან დაკავშირებული გაფრთხილება

- 1) სამაცივრო ხელსაწყოები შეიძლება არ მუშაობდეს თანმიმდევრულად (შიგთავის გაღობა ან გაყინული საკვების განყოფილებაში ტემპერატურის ზედმეტი დათბობა) როცა დგას დიდი ხნის განმავლობაში იმ ტემპერატურის დიაპაზონის ზღვარს ქვემოთ გარემოში, რომლისთვისაც შექმნილია სამაცივრო მოწყობილობა.
- 2) შუშხუნა სასმელები არ უნდა ინახებოდეს საკვების საყინულეში ან დაბალი ტემპერატურის განყოფილებებში ან უჯრებში, და ზოგიერთი პროდუქტი, როგორცაა გაყინული წყალი, არ უნდა იქნას მოხმარებული ძალიან ცივად;
- 3) არ უნდა გადააცილოთ საკვების მწარმოებლების მიერ რეკომენდებული შენახვის დრო(ებ)ს ნებისმიერი სახის საკვებისთვის და განსაკუთრებით კომერციულად სწრაფად გაყინული საკვებისთვის, მიუხედავად იმისა რომ ისინი შეიძლება ინახებოდეს საყინულეში და გაყინული საკვების შესანახ განყოფილებებში ან უჯრებში;
- 4) სიფრთხილის ზომები, რომლებიც აუცილებელია გაყინული საკვების ტემპერატურის არასათანადო მატების თავიდან ასაცილებლად, გაყინული მოწყობილობის გაღობისას, როგორცაა გაყინული საკვების შეფუთვა ქაღალდის რამდენიმე ფენაში.
- 5) გაყინული საკვების ტემპერატურის მატებამ მანუალური გაღობის, შეკეთების ან გაწმენდის დროს შეიძლება შეამციროს შენახვის ვადა.
- 6) საკეტებითა და გასაღებებით აღჭურვილი კარის ან საფარების გასაღებები უნდა ინახებოდეს ბავშვებისთვის მიუწვდომელ ადგილას და არა მაცივრისგან შორს, რათა არ მოხდეს ბავშვების შიგნით ჩაკეტვა.

1.7 ნარჩენის მართვასთან დაკავშირებული გაფრთხილებები



მაცივრისთვის გამოყენებული მაცივებელი აგენტი და ციკლოპენტანის ქაფიანი მასალა აალებადია. ამიტომ, როდესაც მაცივარი ჯართდება, ის უნდა იყოს დაცული ნებისმიერი ხანძრის წყაროსგან და მისი მართვა უნდა განხორციელდეს სპეციალური, შესაბამისი კვალიფიკაციის მქონე კომპანიის მიერ, აკრძალულია ნარჩენის წვის გზით მართვა, რათა თავიდან იქნას აცილებული გარემოს დაბინძურება ან სხვა ზიანი.



როდესაც მაცივარი დაჯართდება, მოხსენით კარი და ამოიღეთ კარისა და თაროების შუასაღებები; მოათავსეთ კარი და თაროები სათანადო ადგილას, ისე, რომ თავიდან აიცილოთ მათზე ბავშვების წვდომა.

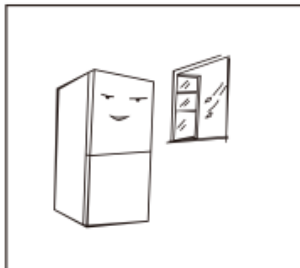
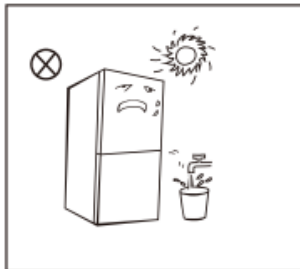
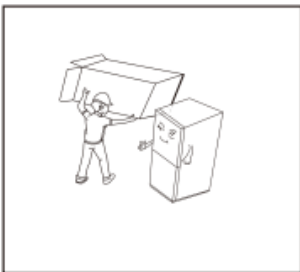


პროდუქტის სწორი განკარგვა:

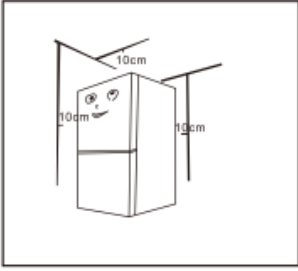
ეს ნიშანი მიუთითებს, რომ ეს პროდუქტი არ უნდა განადგურდეს სხვა საყოფაცხოვრებო ნარჩენებთან ერთად ევროკავშირის მასშტაბით. ნარჩენების უკონტროლო განადგურების შედეგად გარემოს ან ადამიანის ჯანმრთელობისთვის შესაძლო ზიანის თავიდან აცილებისთვის, ნარჩენის გადამუშავება უნდა მოხდეს პასუხისმგებლობით, რათა ხელი შეუწყოს მატერიალური რესურსების უწყვეტ ხელახალ გამოყენებას. გამოყენებული მოწყობილობის დასაბრუნებლად, გთხოვთ, გამოიყენოთ დაბრუნებისა და შეგროვების სისტემები ან დაუკავშირდით იმ საცალო სავაჭრო წარმომადგენელს, სადაც პროდუქტი შეიძინეთ. მათ შეუძლიათ მიიღონ ეს პროდუქტი ეკოლოგიურად უსაფრთხო გადამუშავებისთვის.

2 მაცივრის სწორი გამოყენება

2.1 მოთავსება



- გამოყენებამდე მოწყობილობას მოხსენით ყველა შესაფუთი მასალა, მათ შორის ქვედა ბალიშები, ქაფის ბალიშები და ლენტები მაცივრის შიგნით; კარესა და მაცივრის კორპუსს მოხსენით დამცავი ლენტები.
- შეინახეთ სითბოსგან მოშორებით და მოარიდეთ მზის პირდაპირ სხივებს. არ მოათავსოთ საყინულე ტენიან ან წყლიან ადგილებში, რათა თავიდან აიცილოთ მისი დაჟანგვა ან წყალგაუმტარობის ეფექტის შემცირება.
- მაცივარს არ შეასხუროთ წყალი ან არ გარეცხოთ იგი; არ მოათავსოთ მაცივარი ტენიან ადგილებში, სადაც ადვილად ხვდება წყალი, რათა გავლენა არ მოახდინოთ მაცივრის ელექტროსაიზოლაციო თვისებებზე.
- მაცივარი უნდა მოათავსოთ კარგად ვენტილირებად გადახურულ სივრცეში; იატაკი უნდა იყოს სწორი და მტკიცე (არასტაბილურობის შემთხვევაში, სადგამის გასასწორებლად დაატრიალეთ მარცხნივ ან მარჯვნივ).



- მაცივრის ზემოთ სივრცე უნდა იყოს 30 სმ-ზე მეტი, ხოლო მაცივარი უნდა განთავსდეს კედლიდან სულ მცირე 10 სმ-ით დაშორებით, რათა უზრუნველყოფილი იქნეს სითბოს გაფრქვევა.



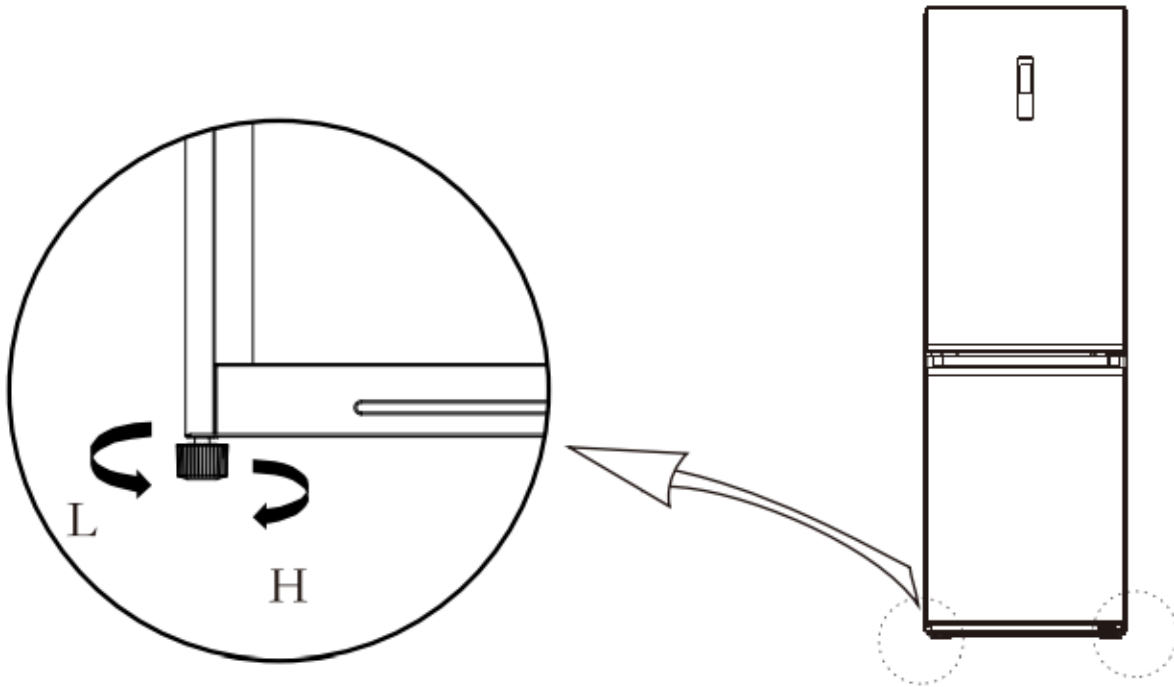
სიფრთხილის ზომები ინსტალაციამდე:

აქსესუარების დამონტაჟებამდე ან მორგებამდე უნდა დარწმუნდეთ, რომ მაცივარი გამორთულია ელექტროენერგიის წყაროდან.

უნდა იქნას მიღებული სიფრთხილის ზომები, რათა თავიდან იქნას აცილებული სახელურის დავარდნა, რომ ამან არ გამოიწვიოს რაიმე სახის დაზიანება.

2.2 ნიველირებადი სადგამები

ნიველირებადი სადგამების სქემატური დიაგრამა







(ზემოთ მოცემული სურათი განკუთვნილია მხოლოდ მითითებისთვის. ფაქტობრივი კონფიგურაცია დამოკიდებული იქნება ფიზიკურ პროდუქტზე ან დისტრიბუტორის განცხადებაზე)

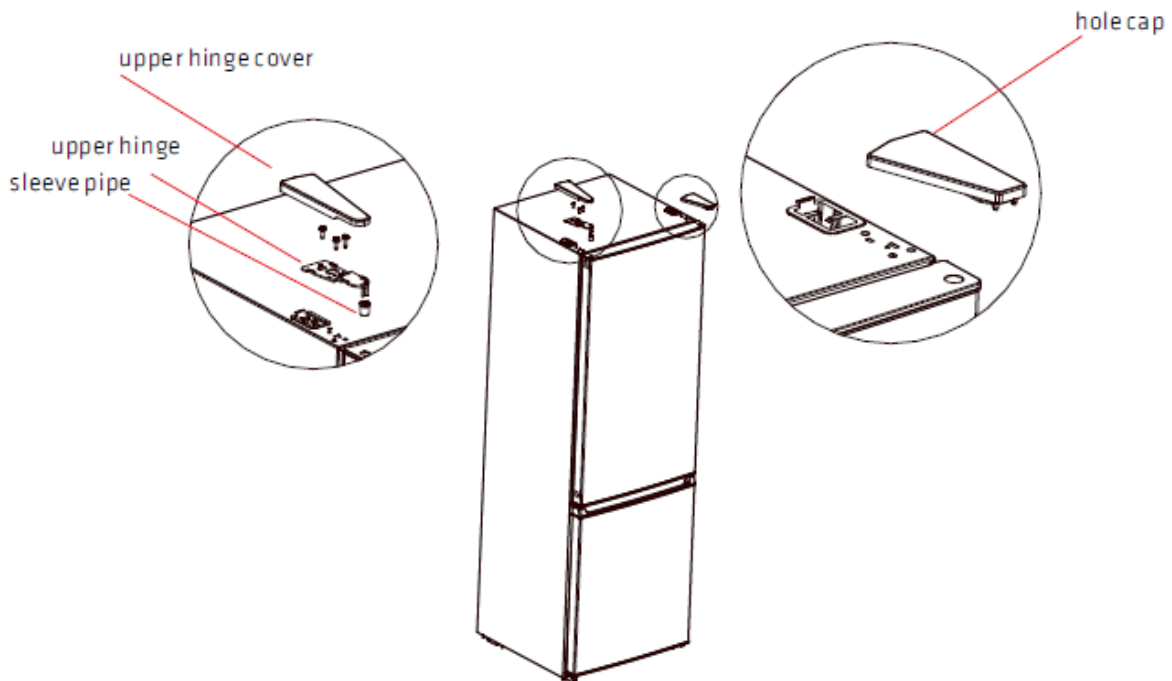
მორგების პროცედურები:

- ა. მაცივრის ასამაღლებლად სადგამები მოატრიალეთ საათის ისრის მიმართულებით;
- ბ. მაცივრის დადაბლებისთვის სადგამები მოატრიალეთ საათის ისრის საწინააღმდეგოდ;
- გ. დაარეგულირეთ მარჯვენა და მარცხენა სადგამები ჰორიზონტალურ დონეზე ზემოთ მოცემული პროცედურების მიხედვით.

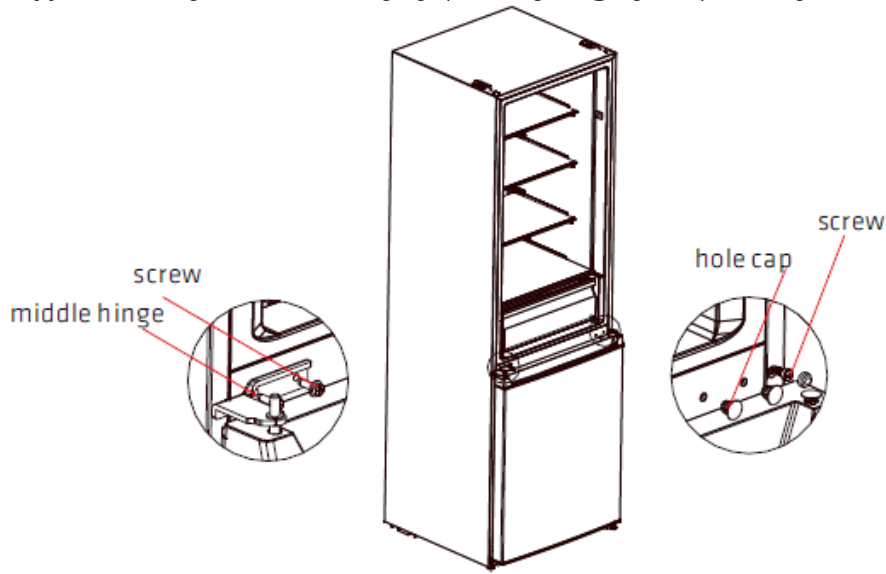
2.3 კარის შეცვლა მარჯვნიდან-მარცხნივ

ინსტრუმენტების სია, რომლებიც უნდა უზრუნველყოს მომხმარებელმა:			
	ფიგურული სახრახნისი		შპატელი თხელ-პირიანი სახრახნისი
	5/16" ტორსული ქანჩი		შესაფუთი ლენტი

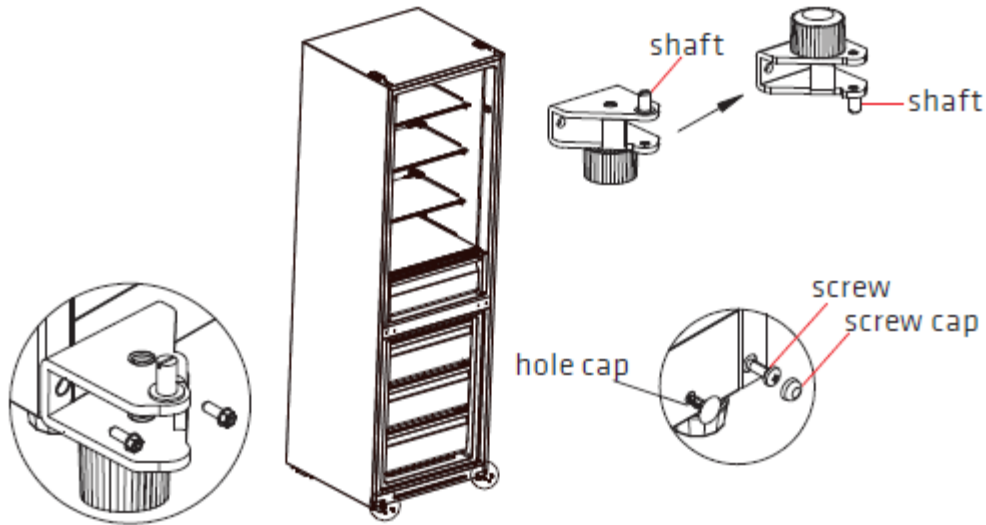
- 1) გამორთეთ მაცივარი და გაათავისუფლეთ კარის თაროები საკვებისგან.
2. მოხსენით ზედა ანჯამის საფარი, ზედა ანჯამა და ნახვრეტის საფარი და მოხსენით მაცივრის კარი.



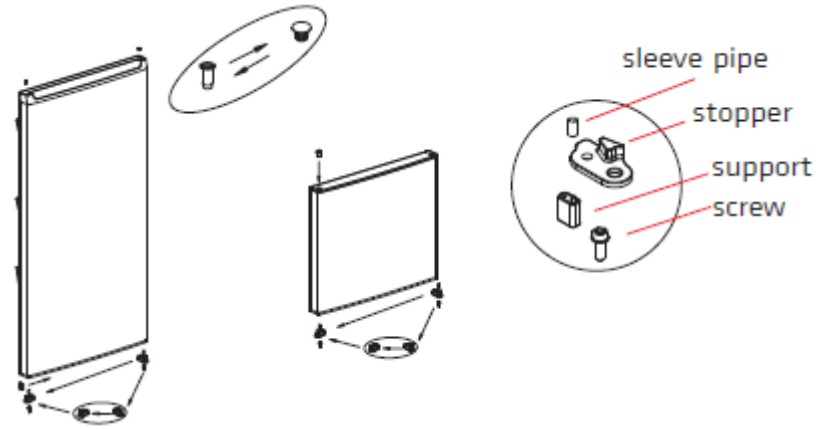
3. მოხსენით შუა ანჯამა, ხრახნები, ხრახნის ხვრელის თავსახურები და მოხსენით საყინულის კარი.



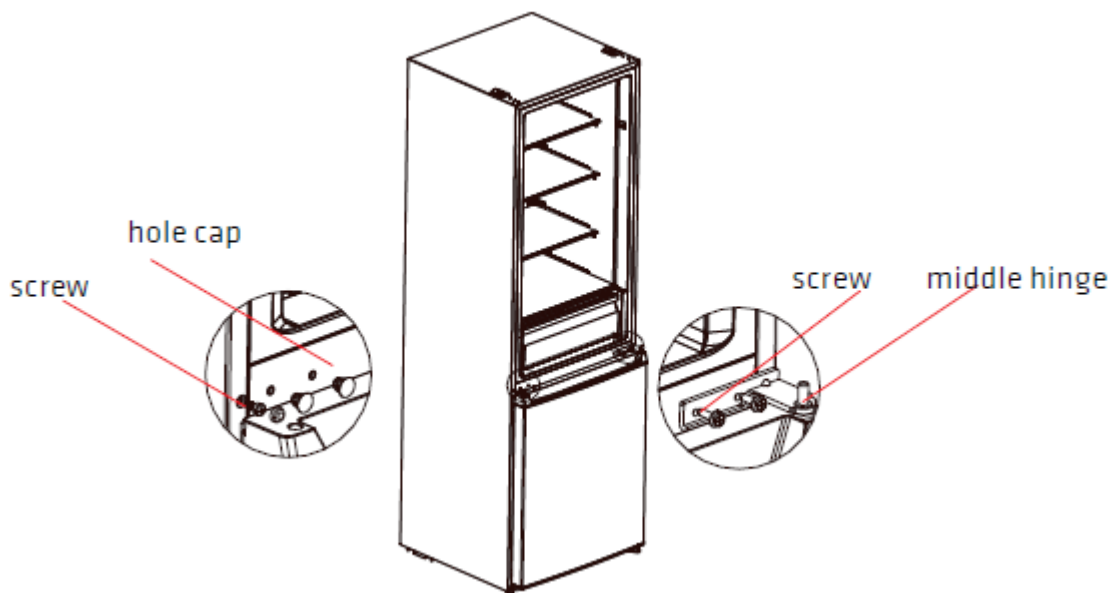
4. მოხსენით ქვედა ანჯამა, ხვრელის თავსახურები და ხრახნები, დაამაგრეთ ქვედა ანჯამის ლილვი და დააყენეთ სადგამი ქვედა ანჯამის მეორე მხარეს, შემდეგ დაამაგრეთ ანჯამა მეორე მხარეს.



5. მოხსენით ხრახნი, ლილვის მილისი და საბჯენი მაცივრის კარიდან და საყინულის კარიდან, ასევე მოხსენით საყრდენი მაცივრის კარის ქვედა საფარზე. შემდეგ დაამაგრეთ ისინი კარების მეორე მხარეს თანმიმდევრობით. (ამოიღეთ ქვედა საცობი აქსესუარების ჩანთიდან) შეცვალეთ ლილვის მილისისა და ხვრელის თავსახური მაცივრის კარის ზედა საფარზე და საყინულის კარის ზედა ანჯამა დაამაგრეთ ღერძის მილისის მეორე მხარეს არსებულ ხვრელთან.

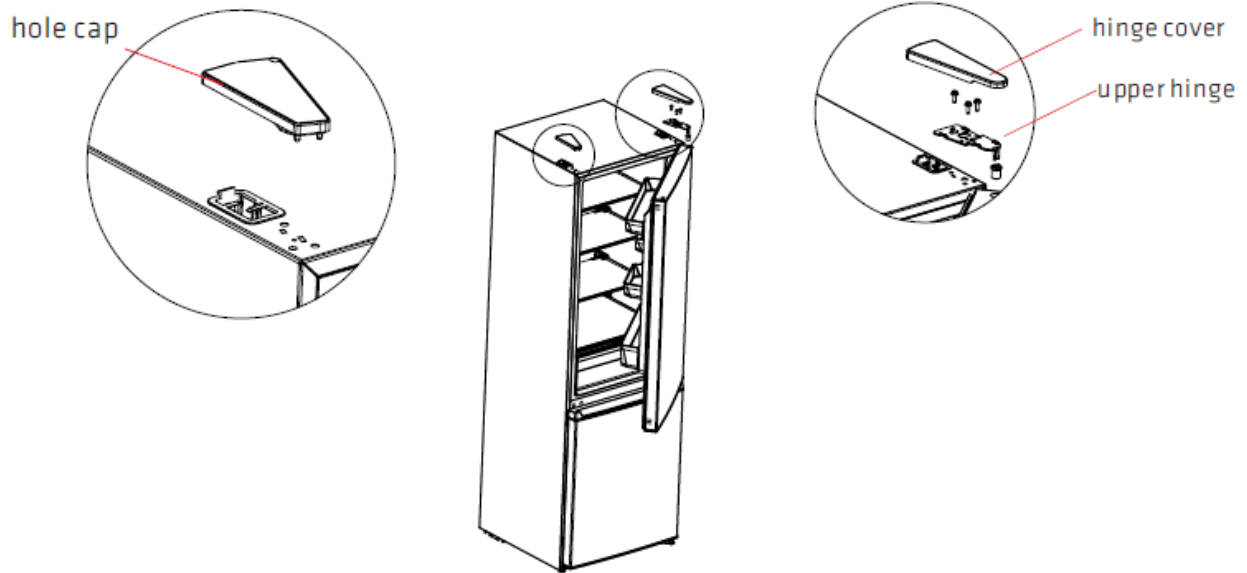


6. საყინულის კარი დააყენეთ ქვედა ანჯამაზე, დაამაგრეთ შუა ანჯამა, ხრახნები და ხრახნიანი ხვრელის თავსახურები.



⚠ (ზემოთ მოცემული სურათი მხოლოდ მითითებისთვისაა. ფაქტობრივი კონფიგურაცია დამოკიდებული იქნება ფიზიკურ პროდუქტზე ან დისტრიბუტორის განცხადებაზე)

7. მაცივრის კარი დააყენეთ შუა ანჯამაზე, დაამაგრეთ ზედა ანჯამა, ანჯამის საფარი და ხვრელის თავსახური.



2.4 ნათურების შეცვლა

LED ნათურების ნებისმიერი შეცვლა ან რემონტი უნდა განხორციელდეს მწარმოებლის, მისი მომსახურების აგენტის ან მსგავსი კვალიფიციური პირის მიერ.

2.5 ჩართვა

	<ul style="list-style-type: none"> • თავდაპირველ ჩართვამდე მაცივარი უძრავად გააჩერეთ ნახევარი საათის განმავლობაში, სანამ მას ელექტროენერგიის წყაროსთან დააკავშირებთ. • ახალი ან გაყინული საკვების შენახვამდე, მაცივარმა უნდა იმუშაოს 2-3 საათის განმავლობაში, ხოლო ზაფხულში, როდესაც გარემო მაღალი ტემპერატურაა, 4 საათზე მეტი დროის განმავლობაში.
--	--

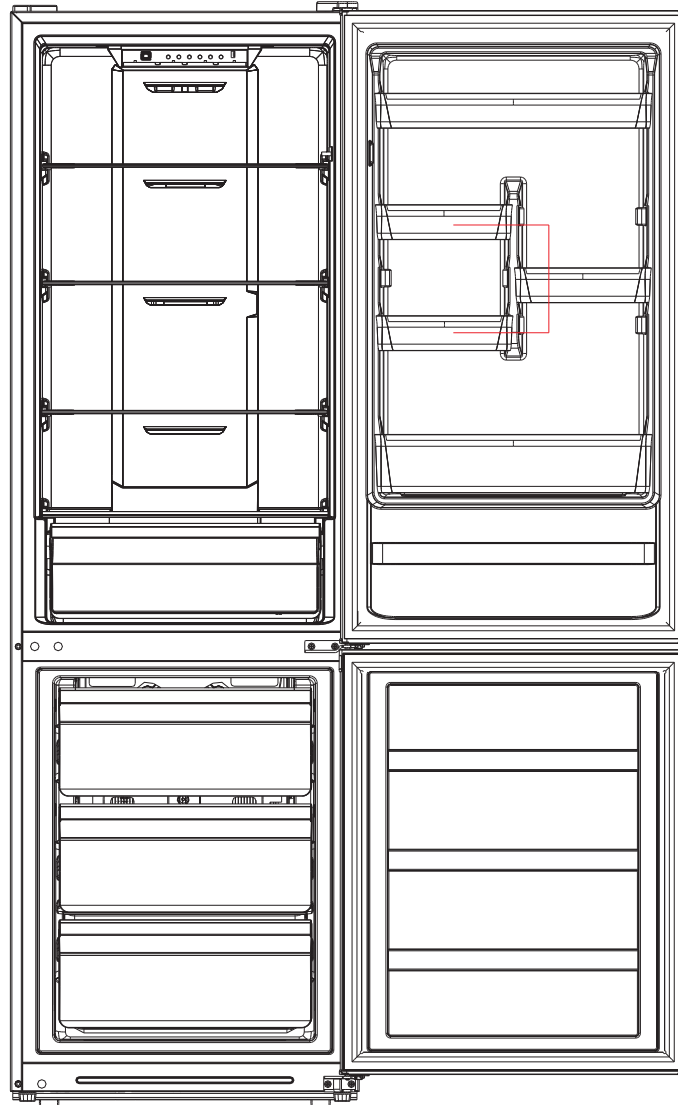
	<ul style="list-style-type: none"> • დატოვეთ საკმარისი ადგილი კარებისა და უჯრების მოსახერხებელი გაღებისთვის
--	--

2.6 რჩევები ენერჯის დაზოგვის შესახებ

- მოწყობილობა უნდა განთავსდეს ოთახის ყველაზე გრილ ადგილას, სითბოს წარმომქმნელი მოწყობილობებისგან ან გამათბობელი მილებისგან და შხის პირდაპირი სხივებისგან მოშორებით.
- მოწყობილობაში შენახვამდე ცხელი საკვები ოთახის ტემპერატურამდე უნდა გაცივდეს. მოწყობილობის გადატვირთვა კომპრესორს უფრო დიდხანს ამუშავებს. საკვებმა, რომელიც ძალიან ნელა იყინება, შეიძლება დაკარგოს ხარისხი ან გაფუჭდეს.
- დარწმუნდით, რომ საკვები სწორად შეფუთეთ და კონტეინერები მოწყობილობაში მოთავსებამდე კარგად გაამშრალეთ. ეს ამცირებს ყინულის დაგროვებას მოწყობილობაში. მოწყობილობის შესანახი უჯრა არ უნდა იყოს დაფარული ალუმინის ფოლგით, ცვილის ქაღალდით ან ქაღალდის ხელსახოცით.
- ლაინერები ხელს უშლის ცივი ჰაერის მიმოქცევას, რაც მოწყობილობას ნაკლებად ეფექტურს ხდის.
- დაალაგეთ და დააეტიკეთ საკვები კარის გაღების რაოდენობისა და ხანგრძლივი ძებნის შესამცირებლად. ერთდროულად აიღეთ საჭირო პროდუქტი და დახურეთ კარი რაც შეიძლება მალე.

3 სტრუქტურა და ფუნქციები

3.1 ძირითადი კომპონენტები



/ნახაზი/



(ზემოთ მოცემული სურათი მხოლოდ მითითებისთვისაა. ფაქტობრივი კონფიგურაცია დამოკიდებული იქნება ფიზიკურ პროდუქტზე ან დისტრიბუტორის განცხადებაზე)

მაცივრის კამერა

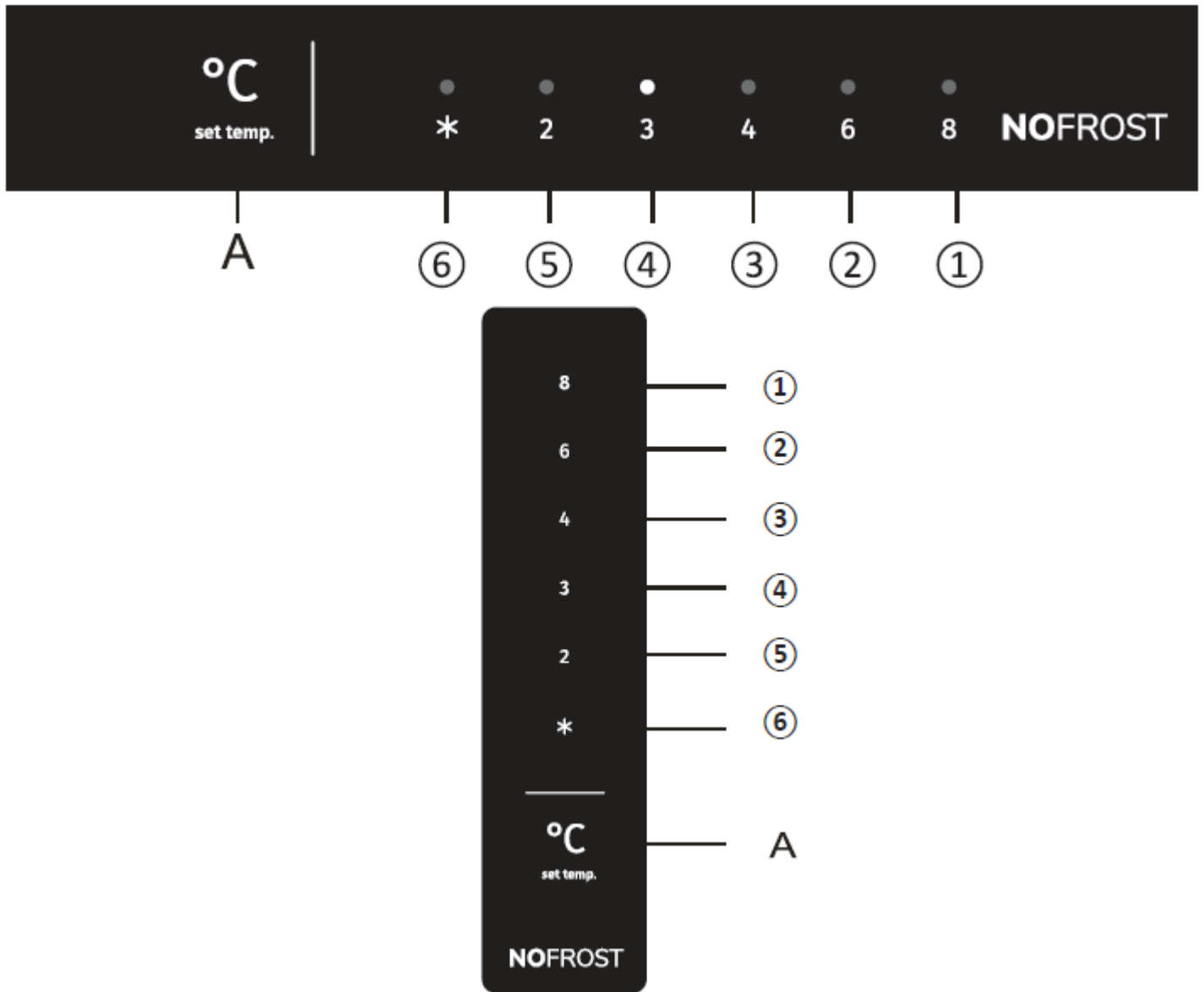
- მაცივრის კამერა განკუთვნილია სხვადასხვა ხილის, ბოსტნეულის, სასმელების და სხვა საკვების შესანახად, რომელიც მოხმარებაც ხდება მოკლევადიან პერიოდში, შემოთავაზებული შენახვის დრო შეადგენს 3 დღიდან 5 დღემდე პერიოდს.
- მომზადებული საკვები არ უნდა მოათავსოთ მაცივარში, სანამ არ გაცივდება ოთახის ტემპერატურამდე.
- საკვების მაცივარში შენახვამდე, რეკომენდებულია მისი შეფუთვა.
- შუშის თაროები შეიძლება დარეგულირდეს ზევით ან ქვევით შენახვის მეტი ადგილის გამოთავისუფლებისთვის და მარტივი გამოყენებისთვის.

საყინულე კამერა

- დაბალი ტემპერატურის საყინულე კამერამ შეიძლება დიდხანს შეინახოს საკვები და ის ძირითადად გამოიყენება გაყინული საკვების შესანახად და ყინულის დასამზადებლად.
- საყინულე კამერა განკუთვნილია ხორცის, თევზის, ბრინჯის ბურთულების და სხვა საკვების შესანახად, რომელიც არ უნდა იქნას მოხმარებული მოკლე დროში. ხორცის ნაჭრები სასურველია დაიჭრას პატარა ნაჭრებად, ადვილი წვდომისთვის. შეგახსენებთ, რომ საკვები უნდა მიირთვათ შენახვის ვადის განმავლობაში.
- უჯრები, საკვების ყუთები, თაროები და ა.შ., რომლებიც დალაგებულია ზემოთ წარმოდგენილი სურათის მიხედვით, არის ყველაზე ენერგოეფექტური.

შენიშვნა: ძალიან ბევრი საკვების შენახვამ ექსპლუატაციის დროს დენის პირველადი შეერთების შემდეგ შეიძლება უარყოფითად იმოქმედოს მაცივრის გაყინვის ეფექტზე.

3.2 ფუნქციები



! (ზემოთ მოცემული სურათი მხოლოდ მითითებისთვისაა. ფაქტობრივი კონფიგურაცია დამოკიდებული იქნება ფიზიკურ პროდუქტზე ან დისტრიბუტორის განცხადებაზე)

1. ძირითადი
- ა. ტემპერატურის პარამეტრის ღილაკი
2. დისპლეის ეკრანი
- 1 ტემპერატურის პარამეტრი 1
- 2 ტემპერატურის პარამეტრი 2

- 3 ტემპერატურის პარამეტრი 3
- 4 ტემპერატურის პარამეტრი 4
- 5 ტემპერატურის პარამეტრი 5
- 6 ტემპერატურის პარამეტრი 6
- 3. დისპლეი

მაცივრის ჩართვისას დისპლეის ეკრანი (მათ შორის ღილაკის განათება) სრულად ანათებს 3 წამის განმავლობაში, შემდეგ მაცივარი მუშაობს ტემპერატურის 3 პარამეტრის მიხედვით.

ნორმალური მუშაობის დისპლეი

წარუმატებლობის შემთხვევაში, შესაბამისი LED ნათურა გასცემს წარუმატებლობის კოდის კომბინირებულ ჩვენებას (გადამუშავების ეკრანზე);

თუ ყველაფერი გამართულად მუშაობს, LED ნათურა აჩვენებს არსებული ტემპერატურის პარამეტრს.

4. გადაცემათა დაყენება

ტემპერატურის პარამეტრი შეიცვლება ერთხელ, როდესაც დააჭირეთ ღილაკს SET. შემდეგ, მაცივარი ახალი პარამეტრით მუშაობას გააგრძელებს 15 წამის შემდეგ.

პარამეტრი 1 -> პარამეტრი 2 -> პარამეტრი 3 -> პარამეტრი 4 -> პარამეტრი 5 -> პარამეტრი 6 -> პარამეტრი 1

Fast cool რეჟიმი:

შეყვანა: ცირკულაციის მოდულაციის სწრაფი გაგრილების რეჟიმი.

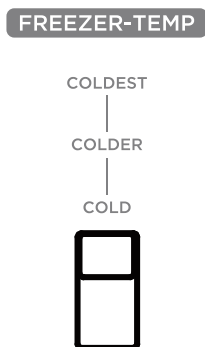
ფუნქციონირება: ანათებს სწრაფი გაგრილების ინდიკატორი და მაცივარი მუშაობს 2°C ტემპერატურაზე.

სწრაფი გაგრილების რეჟიმი ავტომატურად გამოირთვება 24 საათის განმავლობაში.

სწრაფი გაგრილების ფუნქცია შეიძლება გამოყენებულ იქნას როგორც Super freezing ფუნქცია.

5. ჰაერის ამორტიზატორის სახელურის ხელით რეგულირება

ამოატრიალეთ ჰაერის ამორტიზატორის სლაიდერი ზემოთ, საყინულე კამერაში არსებული ტემპერატურა დაეცემა, დაატრიალეთ ჰაერის ამორტიზატორის სლაიდერი ქვემოთ, საყინულე კამერაში არსებული ტემპერატურა მოიმატებს.



6. შეცდომის კოდი

დისპლეიზე გამოსახული შემდეგი გაფრთხილებები მიუთითებს მაცივრის შესაბამის ხარვეზებზე. მიუხედავად იმისა, რომ მაცივარს შეიძლება ჰქონდეს ცივი შენახვის ფუნქცია ამ ხარვეზების პირობებში, მომხმარებელი უნდა დაუკავშირდეს ტექნიკურ სპეციალისტს ტექნიკური მომსახურებისთვის, რათა უზრუნველყოს მოწყობილობის ოპტიმალური მუშაობა.

შეცდომის კოდი	სრული აღწერა
The LED(1) და LED(2)lit	მაცივრის ტემპერატურის სენსორის წრედი
The LED(1) და LED(3)lit	საყინულის ლობის სენსორი
The LED(1) და LED(4)lit	გარემო ტემპერატურის სენსორი


4 მაცივრის მოვლა-შენახვა

4.1 საერთო გაწმენდა

- მაცივრის უკან და იატაკზე მტვერი დროულად უნდა გაიწმინდოს გაგრილების ეფექტისა და ენერჯის დაზოგვის გასაუმჯობესებლად.
- რეგულარულად შეამოწმეთ კარის შუასადებები, რათა დარწმუნდეთ, რომ მასზე ნადები არ არის. გაწმინდეთ კარის შუასადებები საპნიანი წყლით ან გაზავებული სარეცხი საშუალებით დასველებული რბილი ქსოვილით.
- მაცივრის კამერები რეგულარულად უნდა გაიწმინდოს სუნის თავიდან ასაცილებლად.
- გთხოვთ, მაცივრის კამერების გაწმენდამდე გამორთეთ დენი, მაცივარი გაათავისუფლეთ საკვებისგან, სასმელისგან, თაროებისა და უჯრებისგან და ა.შ.
- გამოიყენეთ რბილი ქსოვილი ან ღრუბელი მაცივრის ინტერიერის გასასუფთავებლად, ორი სუფრის კოვზი საკვებ სოდასთან და ერთი ლიტრ თბილ წყალთან ერთად. შემდეგ ჩამოწმინდეთ წყლით და გაამშრალეთ. გაწმენდის შემდეგ გააღეთ კარი და ბუნებრივად გამოაშრეთ, სანამ ჩართავთ დენს.
- რბილი ფუნჯი და ა.შ. და საჭიროების შემთხვევაში, კომბინირებული ზოგიერთ დამხმარე იარაღთან (როგორცაა თხელი ჩხირები), რათა არ მოხდეს დამაბინძურებლების ან ბაქტერიების დაგროვება ამ ადგილებში.
- მაცივარში რთული გასაწმენდი ადგილებისთვის (როგორცაა ვიწრო სენდვიჩები, ღიობები ან კუთხეები) რეკომენდირებულია მათი რეგულარულად გაწმენდა რბილი ქსოვილით, რბილი ფუნჯით და ა.შ. და საჭიროების შემთხვევაში, ზოგიერთი დამხმარე სხვა იარაღით (როგორცაა წვრილი ჩხირები) რათა უზრუნველყოფილი იყოს ამ ადგილებიდან დამაბინძურებლების ან ბაქტერიების მოცილება.
- არ გამოიყენოთ საპონი, სარეცხი საშუალება, სახეხი ფხვნილი, სპრეის გამწმენდი და ა.შ., რადგან ამან შეიძლება გამოიწვიოს სუნი მაცივრის ინტერიერში ან საკვების დაბინძურება.
- ბოთლის ჩარჩო, თაროები და უჯრები გაწმინდეთ საპნიანი წყლით ან განზავებული სარეცხი საშუალებით დასველებული რბილი ქსოვილით. გაამშრალეთ რბილი ქსოვილით ან ბუნებრივად.
- მაცივრის გარე ზედაპირი გაწმინდეთ საპნიანი წყლით, სარეცხი საშუალებებით და ა.შ. დასველებული რბილი ქსოვილით და შემდეგ გაამშრალეთ.

- არ გამოიყენოთ მყარი ჯაგრისები, ფოლადის ბურთულები, მავთულის ჯაგრისები, აბრაზიული საშუალებები (როგორცაა კბილის პასტები), ორგანული გამხსნელები (როგორცაა ალკოჰოლი, აცეტონი, ბანანის ზეთი და ა.შ.), მდულარე წყალი, მჟავა ან ტუტე ნივთები, რამაც შეიძლება დააზიანოს მაცივრის ზედაპირი და ინტერიერი. პლასტმასის ნაწილები შეიძლება დეფორმირდეს ან დაზიანდეს მდულარე წყლით და ორგანული გამხსნელებით, როგორცაა ბენზოლი;
- უშუალოდ არ გაწმინდოთ წყლით ან სხვა სითხეებით გაწმენდის დროს, რათა თავიდან აიცილოთ მოკლე ჩართვა ან გავლენა მოახდინოთ ელექტრო იზოლაციაზე.



 გთხოვთ გამორთოთ მაცივარი გალღობისთვის და გაწმენდისთვის.

4.2 გაღობა

- მაცივარი დამზადებულია ჰაერის გაგრილების პრინციპზე და შესაბამისად აქვს ავტომატური გაღობის ფუნქცია. სეზონის ან ტემპერატურის ცვლილების გამო წარმოქმნილი ყინული ასევე შეიძლება ხელით მოიხსნას მოწყობილობის ელექტრომომარაგებიდან გამორთვით ან მშრალი პირსახოცით გაწმენდის საშუალებით.

4.3 გათიშვა

- ელექტროენერჯის გათიშვა: ელექტროენერჯის გათიშვის შემთხვევაში, თუნდაც ზაფხულში, მოწყობილობის შიგნით საკვების შენახვა შესაძლებელია რამდენიმე საათის განმავლობაში; ელექტროენერჯის გათიშვის დროს, კარების გაღების დრო უნდა შემცირდეს და არ შეინახოთ ახალი საკვები მოწყობილობაში.
- გამოუყენებლობა დიდი ხნის განმავლობაში: მოწყობილობა უნდა გამორთოთ და შემდეგ გაიწმინდოთ; შემდეგ კარი ღია უნდა დატოვოთ სუნის თავიდან ასაცილებლად.
- გადაადგილება: მაცივრის გადაადგილებამდე, გაათავისუფლეთ საკვებისგან, მინის ტიხრები, ბოსტნეულის დამჭერი, საყინულე კამერის უჯრები და ა.შ. ლენტით დააფიქსირეთ და დაამაგრეთ ნიველირებადი სადგამები; დახურეთ კარი და დააფიქსირეთ ლენტით. გადაადგილებისას მოწყობილობა არ უნდა დადგათ თავდაყირა ან ჰორიზონტალურად, არ უნდა განიცდიდეს ვიბრაციას; მოძრაობის დროს დახრილობა არ უნდა იყოს 45°-ზე მეტი.



ჩართვის შემდეგ მოწყობილობამ მუდმივად უნდა იმუშაოს. ზოგადად, მოწყობილობის მუშაობა არ უნდა შეწყდეს; წინააღმდეგ შემთხვევაში, მომსახურების ვადა შეიძლება შემცირდეს.

5. დიაგნოსტიკა

თქვენ შეგიძლიათ სცადოთ შემდეგი მარტივი პრობლემების დამოუკიდებლად გადაჭრა. თუ მათი მოგვარება შეუძლებელია, დაუკავშირდით გაყიდვების შემდგომი მომსახურების განყოფილებას.

გათიშვა	შეამოწმეთ, არის თუ არა მოწყობილობა მიერთებული ელექტროენერგიაზე ან არის თუ არა შტეკსელი კარგად კონტაქტში შეამოწმეთ ხომ არ არის ძაბვა ძალიან დაბალი შეამოწმეთ ხომ არ გაითიშა ელექტროენერგია ან ნაწილობრივი სქემები
სუნნი	სუნის მქონე საკვები მჭიდროდ უნდა იყოს შეფუთული შეამოწმეთ ხომ არ გაფუჭდა საკვები გაასუფთავეთ მაცივრის შიდა ნაწილი
კომპრესორის ხანგრძლივი მუშაობა	მაცივრის ხანგრძლივი მუშაობა ნორმალურია ზაფხულში, როდესაც გარემო ტემპერატურა მაღალია არ არის რეკომენდებული მაცივარში ძალიან ბევრი საკვების ერთდროულად შენახვა საკვები უნდა გაგრილდეს მაცივარში მოთავსებამდე კარი ძალიან ხშირად იღება
შუქი არ ინთება	შეამოწმეთ არის თუ არა მაცივარი მიერთებული ელექტრომომარაგებასთან და დაზიანებულია თუ არა განათება
კარი არ იკეტება	კარს ხელს უშლის საკვები მაცივარი დახრილია შეამოწმეთ არის თუ არა იატაკი თანაბარი და არის თუ არა მაცივარი მყარად მოთავსებული
ხმამაღალი ხმაური	შეამოწმეთ არის თუ არა აქსესუარები განთავსებული სათანადო ადგილას
კარის რეზინი მჭიდროდ არ იკეტება	მოაცილეთ უცხო ნივთიერებები კარის რეზინზე გააცხელეთ კარის რეზინი და შემდეგ გააგრილეთ ის ალდგენისთვის (ან გააშრეთ ელექტრო საშრობით ან გამოიყენეთ ცხელი პირსახოცი გასათბობად)
წყალი გადმოედინება	კამერაში არის ძალიან ბევრი საკვები ან შენახული საკვები შეიცავს ძალიან ბევრ წყალს, რაც იწვევს ძლიერ ლღობას კარი არ არის სწორად დახურული, რის შედეგადაც ხდება გაყინვა ჰაერის შეღწევის გამო და წყლის მომატება ლღობის გამო
სითბოს გამოყოფა	ჩაშენებული კონდენსატორის სითბოს გამოყოფა კორპუსის მეშვეობით ნორმალურია. როდესაც ხდება გამოყოფილი ტემპერატურის მომატება გარემოს მაღალი ტემპერატურისა და ზედმეტი საკვების შენახვის გამო, რეკომენდებულია ვენტილაციის უზრუნველყოფა სითბოს გაფრქვევის გასაადვილებლად.
კონდენსაცია ზედაპირზე	ზედაპირის კონდენსაცია ნორმალურია, როდესაც გარემოს ტენიანობა ძალიან მაღალია. უბრალოდ გაწმინდეთ კონდენსატი სუფთა პირსახოცით.

უჩვეულო ხმაური	<p>ზუზუნი: კომპრესორმა შეიძლება წარმოქმნას ზუზუნი ხმა მუშაობის დროს და ზუზუნი ხმამაღალია, განსაკუთრებით დაწყების ან გაჩერების დროს. ეს ნორმალურია.</p> <p>ჭრაჭუნი: მაცივებელი აგენტი, რომელიც მიედინება მაცივრის შიგნით, შეიძლება წარმოქმნიდეს ჭრაჭუნის ხმას.</p>
----------------	---

ცხრილი 1 კლიმატის კლასები

კლასი	სიმბოლო	გარემოს ტემპერატურის დიაპაზონი °C
ფართოდ ზომიერი	SN	+ 10 - + 32
ზომიერი	N	+ 16 - + 32
სუბტროპიკული	ST	+16 - +38
ტროპიკული	T	+16 - + 43

ფართოდ ზომიერი: წინამდებარე სამაცივრე მოწყობილობა განკუთვნილია 10°C-დან 32°C-მდე ატმოსფერულ ტემპერატურაზე გამოსაყენებლად;

ზომიერი: წინამდებარე სამაცივრე მოწყობილობა განკუთვნილია 16°C-დან 32°C-მდე ატმოსფერულ ტემპერატურაზე გამოსაყენებლად;

სუბტროპიკული: წინამდებარე სამაცივრე მოწყობილობა განკუთვნილია 16°C-დან 38°C-მდე ატმოსფერულ ტემპერატურაზე გამოსაყენებლად;

ტროპიკული: წინამდებარე სამაცივრე მოწყობილობა განკუთვნილია 16°C-დან 43°C-მდე ატმოსფერულ ტემპერატურაზე გამოსაყენებლად;

 Midea
make yourself at home